



REX POWER MAGNETICS

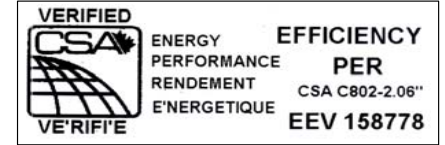
DIVISION OF TRANSFACTOR INDUSTRIES INC.
65 Basaltic Rd. Concord, ON, L4K 1G4 Canada
Tel: 905-695-8844, 1-800-387-2840 Fax: 905-695-8855
www.RexPowerMagnetics.com

ENERGY EFFICIENT TRANSFORMER

- 3 Phase Isolation
- Dry Type
- ANN Self Cooled

Purchaser: TBA
 PO#: TBA
 SWO#: TBA
 Qty: TBA

PRELIMINARY DRAWING ONLY
 This drawing may NOT truly reflect our Final Design. Any resulting order(s) must be accompanied by, or refer to this drawing and be marked with any proposed changes.



Coils: Aluminum
 Cat. No.: BA450J-M/Z

kVA: 450
 Primary: 600 Delta Volts
 Secondary: 208 Y/120 Volts
 Primary Taps: 2.5 %
 -Taps FCAN 2
 -Taps FCBN 2

Frequency: 60 Hz
 Sound Level: 60 dB Max.
 BIL: 10 kV
 Insulation Class: 220° C
 Temperature Rise: 150° C
 Impedance: 5.0 - 6.0 %

Min. Efficiency: 98.68 %
 - Calculated @ 35% Loaded

Weight: 2300 Lbs

Termination	Location	Terminals
Primary:	Front	Bus
Secondary:	Back	Bus

Wiring Connection:

Primary: H1-H2-H3

Voltage	% Tap	Links:
630	105.0	1-2
615	102.5	2-3
600	100.0	3-4
585	97.5	4-5
570	95.0	5-6

Secondary: X0-X1-X2-X3

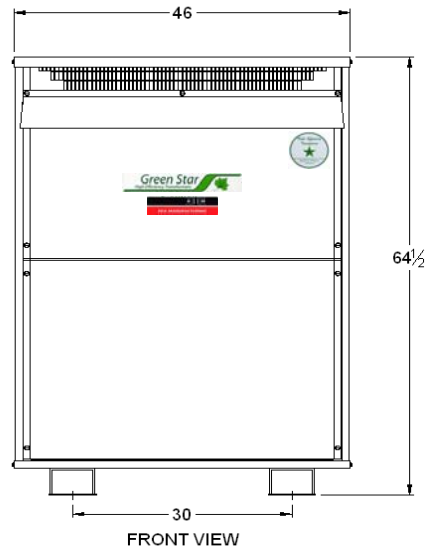
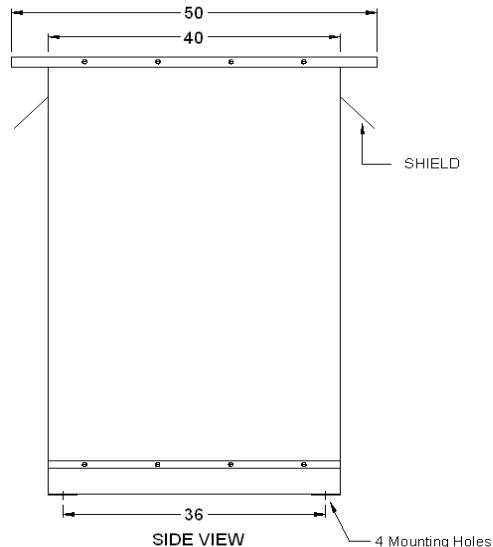
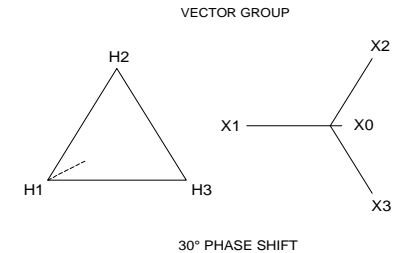
Voltage	Phase	Connect Loads To:
208	3	X1-X2-X3
120	1	X0-X1, X0-X2, and/or X0-X3

Standards:

1. CSA Certified
- File No. LR34493
2. UL Listed
- File No. E108255

Standard Features:

1. Anti-vibration pads installed between the enclosure base and the core & coil assembly
2. Ground lug provided
3. Transformer meets Efficiency per CSA C802.2
4. Transformer meets NEMA TP-1 Efficiency Level



CSA Enclosure:

1. Type 3R (NEMA 3R)
- Sprinklerproof when the angle between sprinkler heads and opening in the enclosure does Not exceed 45 degree from the vertical.
2. Ventilated
3. ASA 61 grey
4. Floor mounting

2	Updated Logo & Wgt.	AP	VS	May 13, 2011
1	Updated Standard Features	SA	VS	Oct. 26, 2010
REV#	Remarks	BY	Approved By	DATE

Prepared by: SA
 Approved by: VS
 Date: OCT 26 2010