



REX POWER MAGNETICS

A DIVISION OF TRANSFACTOR INDUSTRIES INC.
 65 BASALTIC RD, CONCORD, ON, CA L4K 1G4
 TEL: 905-695-8844 • FAX: 905-695-8855
 WWW.REXPOWERMAGNETICS.COM

TRANSFORMER SPECIFICATION

- 3 Phase Isolation
- Dry Type
- ANN Self Cooled

Purchaser: TBA
 PO#: TBA
 SWO#: TBA
 Qty: TBA

Coils: Copper
 Cat. No.: BC3H-M
 kVA: 3
 Primary: 480 Delta Volts
 Secondary: 208 Y/120 Volts
 Primary Taps: 5 %
 -Taps FCAN 1
 -Taps FCBN 1
 Frequency: 60 Hz
 BIL: 10 kV
 Insulation Class: 185° C
 Temperature Rise: 115° C
 Impedance: 6.5 - 7.5 %
 Weight: 85 Lbs

Termination	Location	Terminals
Primary:	Front	Terminal Blocks
Secondary:	Front	Terminal Blocks

Wiring Connection:

Primary:	H1-H2-H3	Terminals
Voltage	% Tap	Jumpers To:
504	105.0	1-1-1
480	100.0	2-2-2
456	95.0	3-3-3
Secondary:	X0-X1-X2-X3	Terminals
Voltage	Phase	Connect Loads To:
208	3	X1-X2-X3
120	1	X0-X1, X0-X2, and/or X0-X3

Preliminary Drawing ONLY

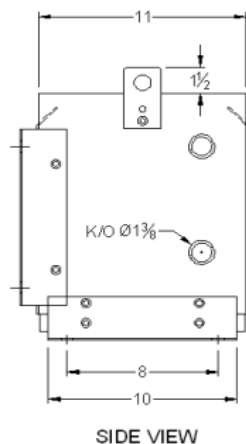
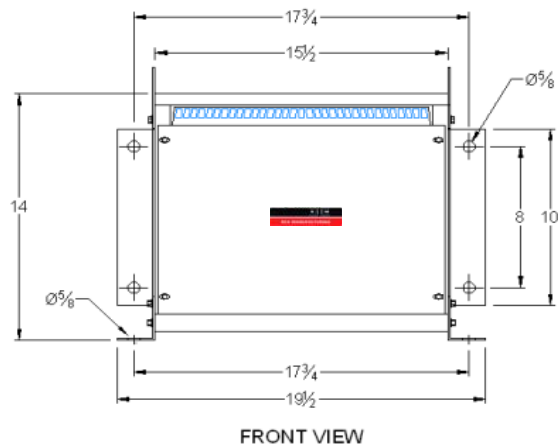
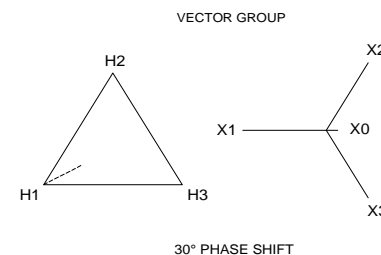
This drawing may NOT truly reflect our final design.
 Any resulting order(s) must be accompanied by or
 refer to this drawing and be marked with any
 proposed changes

Standards:

1. CSA Certified
 - File No. LR34493
2. UL Listed
 - File No. E108255

Standard Features:

1. Anti-vibration pads installed between the enclosure
 base and the core & coil assembly
2. Ground lug provided



CSA Enclosure:

- Type 1 (NEMA 1)
- Ventilated
- ASA 61 grey
- Floor/Wall mounting

2	Updated Logo & Enclosure Dimension	AP	VS	Mar.26, 2012
1	Updated Standard Features	SA	VS	Oct. 26, 2010
REV#	Remarks	BY	Approved By	DATE

Prepared by: SA
 Approved by: VS
 Date: OCT 26 2010