



REX POWER MAGNETICS

A DIVISION OF TRANSFACTOR INDUSTRIES INC.
65 BASALTIC RD, CONCORD, ON, CA L4K 1G4
TEL: 905-695-8844 FAX: 905-695-8855
WWW.REXPOWERMAGNETICS.COM

TRANSFORMER SPECIFICATION

- 3 Phase Isolation
- Dry Type
- ANN Self Cooled

Purchaser: TBA
PO#: TBA
SWO#: TBA
Qty: TBA

Preliminary Drawing ONLY

This drawing may NOT truly reflect our final design.
Any resulting order(s) must be accompanied by or
refer to this drawing and be marked with any
proposed changes

Coils: Copper
Cat. No.: BC6H-M
kVA: 6
Primary: 480 Delta Volts
Secondary: 208 Y/120 Volts
Primary Taps: 5 %
-Taps FCAN 1
-Taps FCBN 1
Frequency: 60 Hz
BIL: 10 kV
Insulation Class: 185° C
Temperature Rise: 115° C
Impedance: 6.5 - 7.5 %
Weight: 130 Lbs

Table with 3 columns: Termination, Location, Terminals. Rows for Primary and Secondary.

Wiring Connection:

Table with 3 columns: Primary Voltage, % Tap, Jumpers To. Rows for 504, 480, 456.

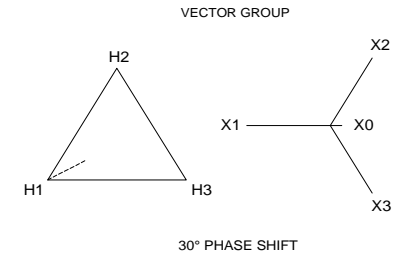
Table with 3 columns: Secondary Voltage, Phase, Connect Loads To. Rows for 208, 120.

Standards:

- 1. CSA Certified - File No. LR34493
2. UL Listed - File No. E108255

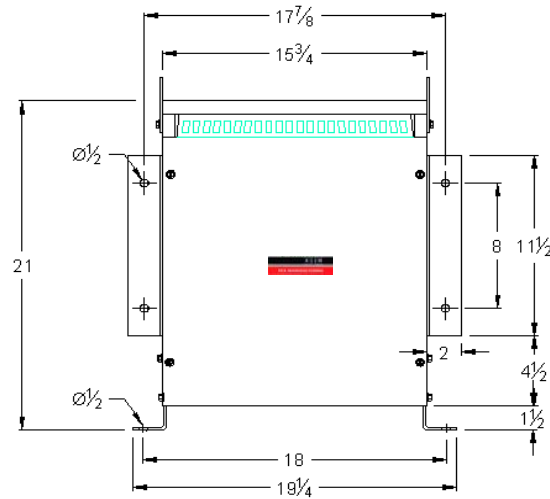
Standard Features:

- 1. Anti-vibration pads installed between the enclosure base and the core & coil assembly
2. Ground lug provided

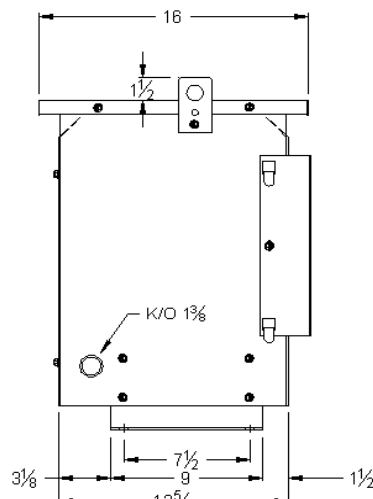


CSA Enclosure:

- 1. Type 3R (NEMA 3R) - Sprinklerproof when the angle between sprinkler heads and opening in the enclosure does not exceed 45 degree from the vertical.
2. Ventilated
3. ASA 61 grey
4. Floor/Wall mounting



FRONT VIEW



SIDE VIEW

Table with 5 columns: REV#, Remarks, BY, Approved By, DATE. Rows for updates to Logo & Enclosure Dimension and Standard Features.

Prepared by: SA
Approved by: VS
Date: OCT 26 2010