



DIVISION OF TRANSFACTOR INDUSTRIES INC.
 65 Basaltic Rd. Concord, ON, L4K 1G4 Canada
 Tel: 905-695-8844, 1-800-387-2840 Fax: 905-695-8855
 www.RexPowerMagnetics.com

TRANSFORMER SPECIFICATION

- 3 Phase Isolation
- Dry Type
- ANN Self Cooled

Purchaser: TBA
 PO#: TBA
 SWO#: TBA
 Qty: TBA

PRELIMINARY DRAWING ONLY
 This drawing may NOT truly reflect our Final Design. Any resulting order(s) must be accompanied by, or refer to this drawing and be marked with any proposed changes.

Coils: Copper Wound
 Cat. No.: BC6J-M/E3R

kVA: 6
 Primary: 600 Delta Volt
 Secondary: 208 Y/120 Volt

Primary Taps: 5 %
 -Taps FCAN 1
 -Taps FCBN 1

Frequency: 60 Hz

BIL: 10 kV

Insulation Class: 185° C
 Temperature Rise: 115° C

Impedance: 6.5 - 7.5 %
 Weight: 135 Lbs

| Termination | Location | Terminals |
|-------------|----------|-----------------|
| Primary: | Front | Terminal Blocks |
| Secondary: | Front | Terminal Blocks |

Wiring Connection:

| Primary: | H1-H2-H3 | % Tap | Jumpers To: |
|----------|----------|-------|-------------|
| 630 | 105.0 | | 1-1-1 |
| 600 | 100.0 | | 2-2-2 |
| 570 | 95.0 | | 3-3-3 |

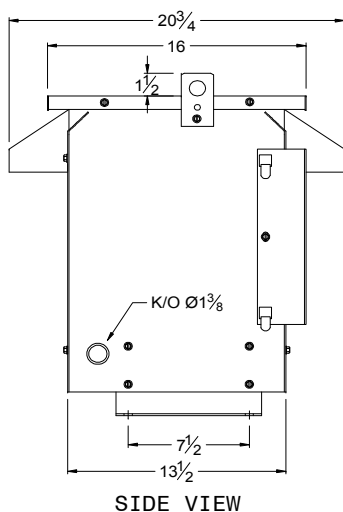
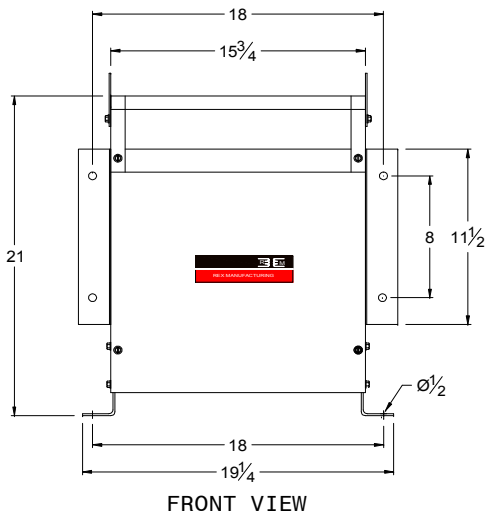
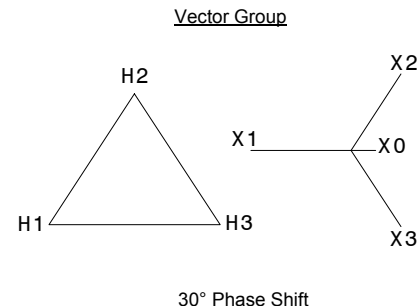
| Secondary: | X0-X1-X2-X3 | Phase | Connect Loads To: |
|------------|-------------|-------|----------------------------|
| 208 | 3 | | X1-X2-X3 |
| 120 | 1 | | X0-X1, X0-X2, and/or X0-X3 |

Standards:

1. CSA Certified
 - File No. LR34493
2. UL Listed
 - File No. E108255

Standard Features:

1. Anti-Vibration pads installed between the enclosure base and the core & coil assembly
2. Ground lug provided



CSA Enclosure:

- Type 3R (NEMA 3R)
- Indoor/Outdoor Ventilated
- ASA 61 Grey
- Floor Mounting

Prepared by: AP
 Approved by: VS
 Date: DEC.4, 2008