



REX POWER MAGNETICS

A DIVISION OF TRANSFACTOR INDUSTRIES INC.
65 BASALTIC RD, CONCORD, ON, CA L4K 1G4
TEL: 905-695-8844 FAX: 905-695-8855
WWW.REXPOWERMAGNETICS.COM

ENERGY EFFICIENT TRANSFORMER

- 3 Phase Isolation
- Dry Type
- ANN Self Cooled

Purchaser: TBA
PO#: TBA
SWO#: TBA
Qty: TBA

Preliminary Drawing ONLY

This drawing may NOT truly reflect our final design.
Any resulting order(s) must be accompanied by or
refer to this drawing and be marked with any
proposed changes

Coils: Copper
Cat. No.: BC150J-M/Z
kVA: 150
Primary: 600 Delta Volts
Secondary: 208 Y/120 Volts
Primary Taps: 2.5 %
-Taps FCAN 2
-Taps FCBN 2
Frequency: 60 Hz
Sound Level: 50 dB Max.
BIL: 10 kV
Insulation Class: 220° C
Temperature Rise: 150° C
Impedance: 3.0 - 4.0 %
Min. Efficiency: 98.3 %
- Calculated @ 35% Loaded

Weight: 1000 Lbs

Table with 3 columns: Termination, Location, Lug Size. Rows for Primary and Secondary.

Wiring Connection:

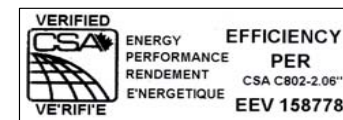
Table with 3 columns: Primary Voltage, % Tap, Jumpers To. Rows for 630, 615, 600, 585, 570.

Table with 3 columns: Secondary Voltage, Phase, and unlabeled. Rows for 208, 120.

Connect Loads To:
X1-X2-X3
X0-X1, X0-X2,
and/or X0-X3

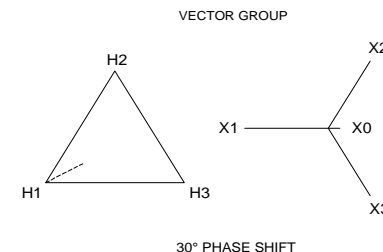
Standards:

- 1. CSA Certified
- File No. LR34493
2. UL Listed
- File No. E108255

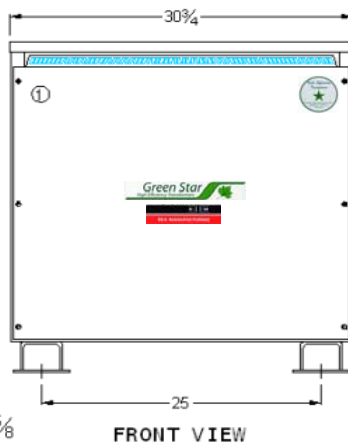
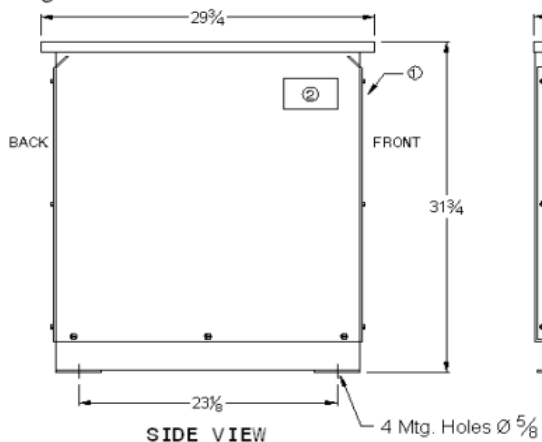


Standard Features:

- 1. Anti-vibration pads installed between the enclosure
base and the core & coil assembly
2. Ground lug provided
3. Transformer meets Efficiency per CSA C802.2
4. Transformer meets NEMA TP-1 Efficiency Level



- 1 - REMOVABLE PANELS FOR EASY ACCESS TO TERMINALS
2 - NAME PLATE



CSA Enclosure:

- 1. Type 3R (NEMA 3R)
- Sprinklerproof when the angle between sprinkler heads
and opening in the enclosure does not exceed 45 degree
from the vertical.
2. Ventilated
3. ASA 61 grey
4. Floor mounting

Table with 5 columns: REV#, Remarks, BY, Approved By, DATE. Rows for updates to logo/weight and standard features.

Prepared by: SA
Approved by: VS
Date: OCT 26 2010