



**REX POWER MAGNETICS**

A DIVISION OF TRANSFACTOR INDUSTRIES INC.  
 65 BASALTIC RD, CONCORD, ON, CA L4K 1G4  
 TEL: 905-695-8844 • FAX: 905-695-8855  
 WWW.REXPOWERMAGNETICS.COM

## TRANSFORMER SPECIFICATION

- 3 Phase Isolation
- Dry Type
- ANN Self Cooled

Purchaser: TBA  
 PO#: TBA  
 SWO#: TBA  
 Qty: TBA

Coils: Copper  
 Cat. No.: BC3J-M  
 kVA: 3  
 Primary: 600 Delta Volts  
 Secondary: 208 Y/120 Volts  
 Primary Taps: 5 %  
 -Taps FCAN 1  
 -Taps FCBN 1  
 Frequency: 60 Hz  
 BIL: 10 kV  
 Insulation Class: 185° C  
 Temperature Rise: 115° C  
 Impedance: 6.5 - 7.5 %  
 Weight: 85 Lbs

Termination	Location	Terminals
Primary:	Front	Terminal Blocks
Secondary:	Front	Terminal Blocks

### Wiring Connection:

Primary:	H1-H2-H3	Primary Voltage	% Tap	Jumpers To:
630	105.0	600	100.0	1-1-1
570	95.0			2-2-2
				3-3-3

Secondary:	X0-X1-X2-X3	Secondary Voltage	Phase	Connect Loads To:
208	3	120	1	X1-X2-X3
				X0-X1, X0-X2, and/or X0-X3

## Preliminary Drawing ONLY

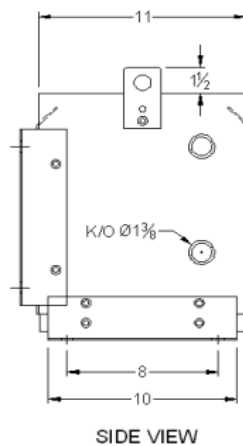
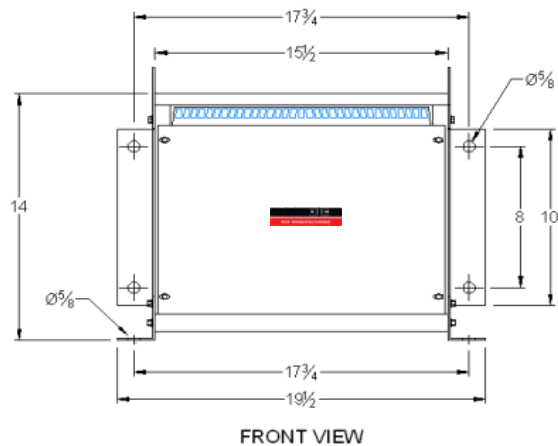
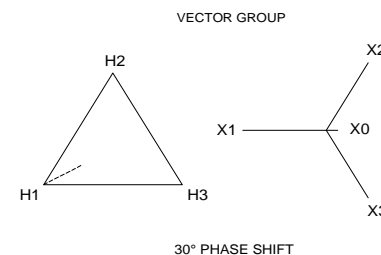
This drawing may NOT truly reflect our final design. Any resulting order(s) must be accompanied by or refer to this drawing and be marked with any proposed changes

Standards:

1. CSA Certified  
 - File No. LR34493
2. UL Listed  
 - File No. E108255

Standard Features:

1. Anti-vibration pads installed between the enclosure base and the core & coil assembly
2. Ground lug provided



CSA Enclosure:

- Type 1 (NEMA 1)
- Ventilated
- ASA 61 grey
- Floor/Wall mounting

2	Updated Logo & Enclosure Dimension	AP	VS	Mar.26, 2012
1	Updated Standard Features	SA	VS	Oct. 26, 2010
REV#	Remarks	BY	Approved By	DATE

Prepared by: SA  
 Approved by: VS  
 Date: OCT 26 2010