

- NOTE:
1. TRANSFORMER IS FREESTANDING IN ENCLOSURE
 2. METAL GAUGE TO CSA-C22 No. 94-M91
 3. PAINT ASA # 61 GRAY
 4. BOLTED, KNOCK DOWN CONSTRUCTION
 5. OPEN BOTTOM
 6. COVERED OPENING FOR ACCESS TO LIFTING POINTS

TRANSFORMER:

KVA: 3000

PRIMARY VOLTAGE CLASS: 34.5 KV

- PRIMARY VOLTAGE:
- 34500 VOLTS DELTA*
 - OR
 - 27600 VOLTS DELTA*
 - OR
 - OTHER _____

PRIMARY TAPS: 2x2.5% FCAN, 2x2.5% FCBN

- SECONDARY VOLTAGE:
- 600V/347 VOLTS
 - OR
 - 480V/277 VOLTS
 - OR
 - OTHER _____

PRIMARY B.I.L.: 150 KV
 SECONDARY B.I.L.: 10 KV
 INSULATION CLASS: 220°C
 TEMPERATURE RISE: 150°C
 IMPEDANCE: STANDARD
 SOUND LEVEL: STANDARD

WINDING MATERIAL:

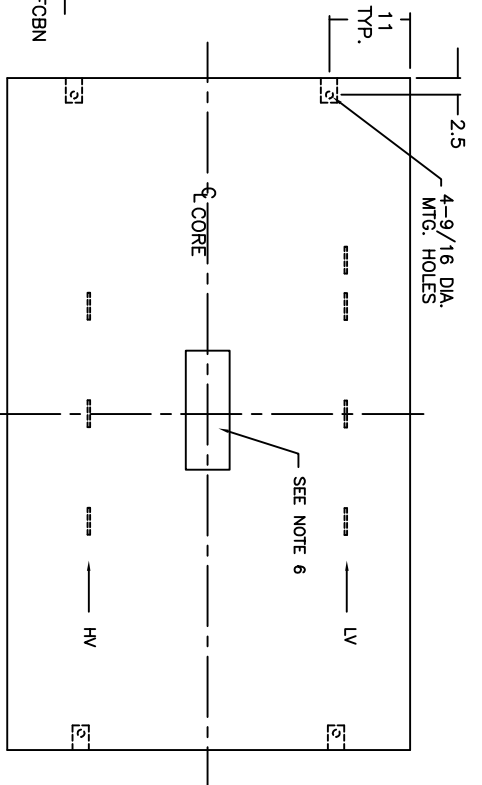
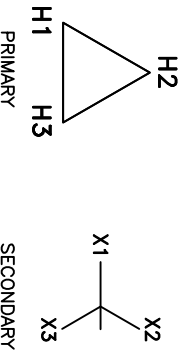
- COPPER
- OR
- ALUMINUM

TERMINAL MATERIAL:

- COPPER
- OR
- ALUMINUM

STANDARD FEATURES: ANTI-VIBRATION PADS

VECTOR DIAGRAM

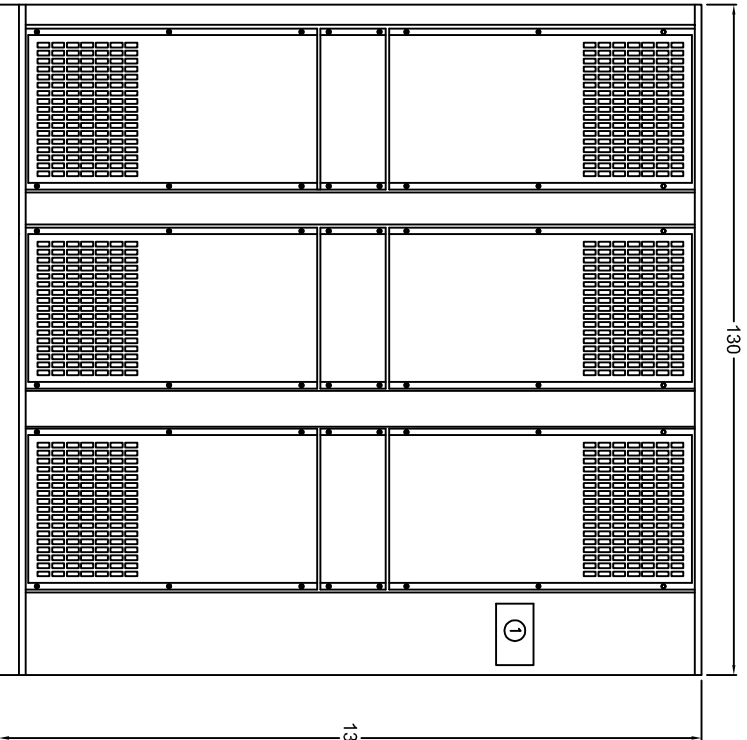


PLAN VIEW

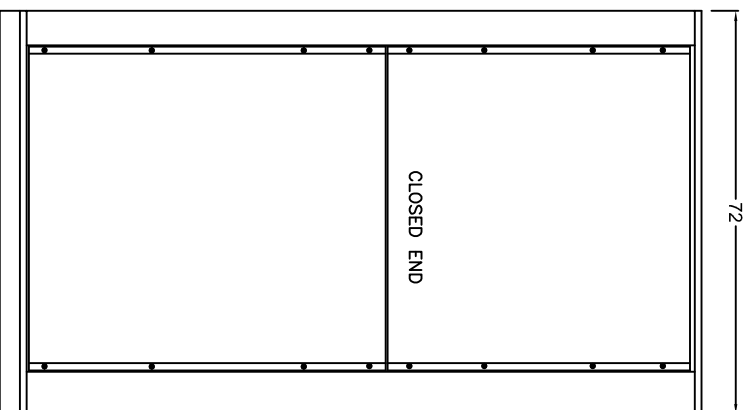
① NAME PLATE

CSA TYPE 1 (NEMA 1)
 INDOOR USE

APPROX. WEIGHT:
 CORE & COIL: 22800 LBS
 ENCLOSURE: 2500 LBS
 TOTAL: 25300 LBS



FRONT VIEW



END VIEW

Note: Dimensions may change if units are co-ordinated with switchgear.
 Dimensions are estimates. For firm dimensions contact factory.
 *For Y-Y connection consult factory for dimensions

REV.	REMARKS	BY	DATE

REX POWER MAGNETICS
 DIVISION OF TRANSFORMER INDUSTRIES INC.

DESIGNED BY: SARKIS DATE: JUNE 8, 10
 DRAWN BY: DAMI DATE: JUNE 8, 10
 TITLE: 3000KVA 34.5KV CLASS ENCLOSURE OUTLINE
 NEMA-1

SCALE: N.T.S. REVISION: 0
 DATE: JUNE 8, 10

DRAWING No. 3000KVA-BILL150-1