

- NOTE:
1. TRANSFORMER IS FREESTANDING IN ENCLOSURE
 2. METAL GAUGE TO CSA-C22 No. 94-M91
 3. PAINT ASA # 61 GRAY
 4. BOLTED, KNOCK DOWN CONSTRUCTION
 5. OPEN BOTTOM
 6. COVERED OPENING FOR ACCESS TO LIFTING POINTS

TRANSFORMER:

KVA: 3750

PRIMARY VOLTAGE CLASS: 34.5 KV
 34500 VOLTS DELTA*
 OR
 27600 VOLTS DELTA*
 OR
 OTHER _____

PRIMARY TAPS: 2x2.5% FCAN, 2x2.5% FCBN
 SECONDARY VOLTAGE: 600V/347 VOLTS OR 480V/277 VOLTS OR OTHER _____

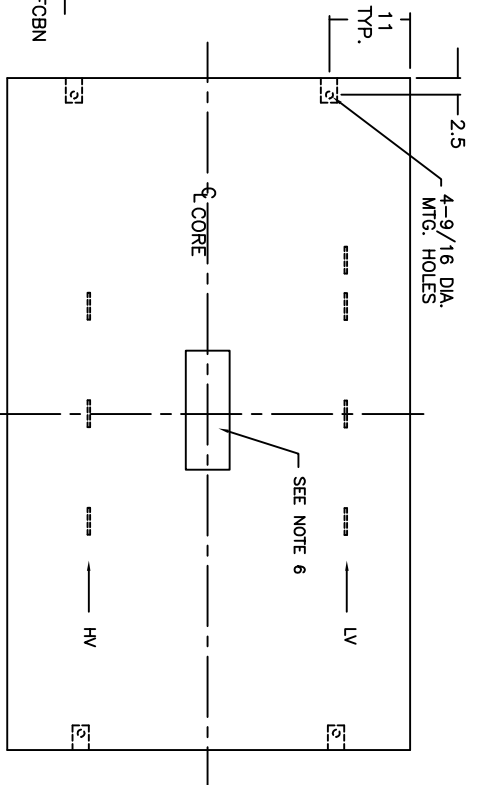
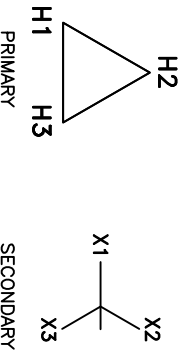
PRIMARY B.I.L.: 150 KV
 SECONDARY B.I.L.: 10 KV
 INSULATION CLASS: 220°C
 TEMPERATURE RISE: 150°C
 IMPEDANCE: STANDARD
 SOUND LEVEL: STANDARD

WINDING MATERIAL: COPPER OR ALUMINUM

TERMINAL MATERIAL: COPPER OR ALUMINUM

STANDARD FEATURES: ANTI-VIBRATION PADS

VECTOR DIAGRAM

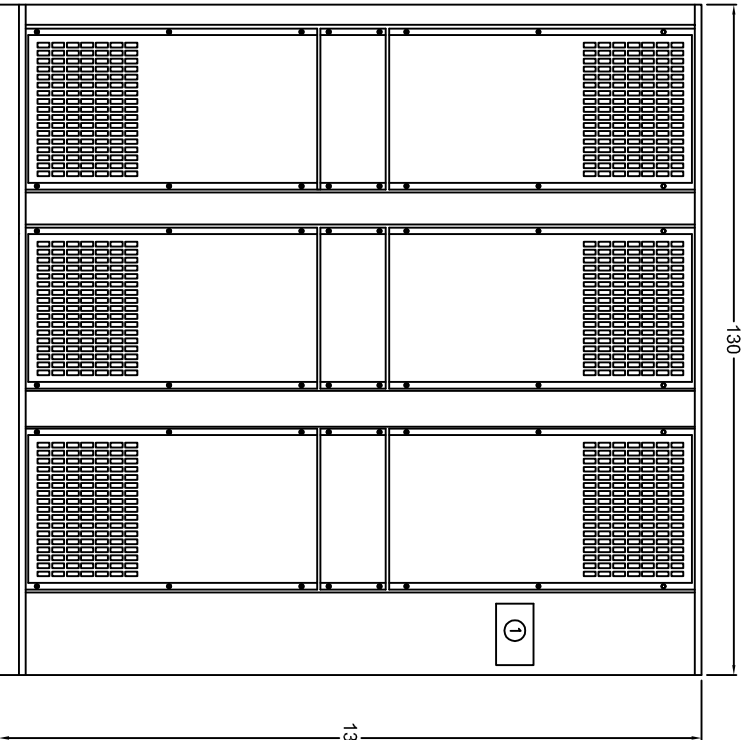


PLAN VIEW

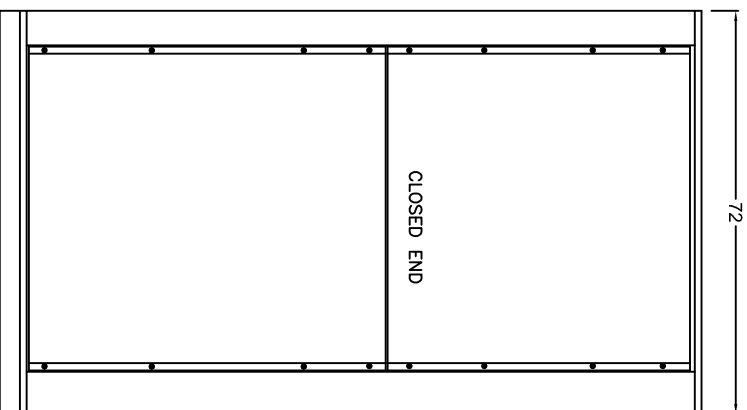
① NAME PLATE

CSA TYPE 1 (NEMA 1)
 INDOOR USE

APPROX. WEIGHT:
 CORE & COIL: 25500 LBS
 ENCLOSURE: 2500 LBS
 TOTAL: 28000 LBS



FRONT VIEW



END VIEW

Note: Dimensions may change if units are co-ordinated with switchgear.

Dimensions are estimates. For firm dimensions contact factory.

*For Y-Y connection consult factory for dimensions

REV.	REMARKS	BY	DATE

REX POWER MAGNETICS
 DIVISION OF TRANSFORMER INDUSTRIES INC.

DESIGNED BY: SARKIS DATE: JUNE 8, 10
 DRAWN BY: DAMI DATE: JUNE 8, 10
 TITLE: 3750KVA 34.5KV CLASS ENCLOSURE OUTLINE
 NEMA-1

DRAWING No. 3750KVA-BILL150-1