

- NOTE:
1. TRANSFORMER IS FREESTANDING IN ENCLOSURE
 2. METAL GAUGE TO CSA-C22 No. 94-M91
 3. PAINT ASA # 61 GRAY
 4. BOLTED, KNOCK DOWN CONSTRUCTION
 5. OPEN BOTTOM
 6. COVERED OPENING FOR ACCESS TO LIFTING POINTS

CSA TYPE 1 (NEMA 1)
INDOOR USE

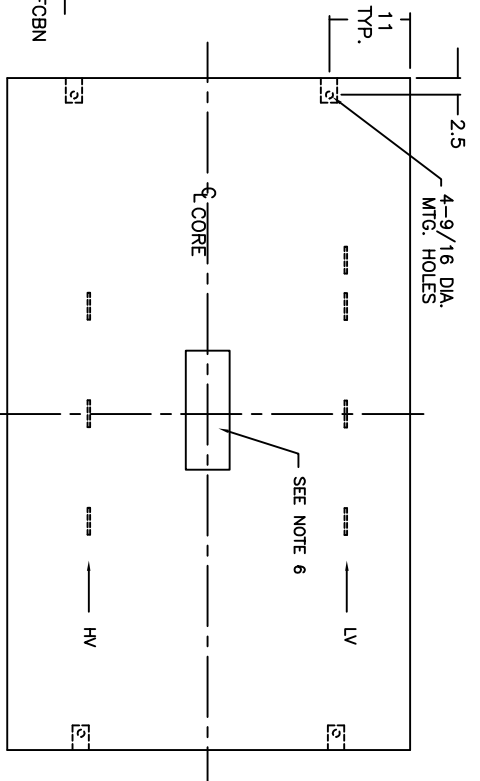
APPROX. WEIGHT:
CORE & COIL: 28700 LBS
ENCLOSURE: 2800 LBS
TOTAL: 31500 LBS

TRANSFORMER:

KVA: 4750

PRIMARY VOLTAGE CLASS: 34.5 KV
 34500 VOLTS DELTA*
 OR
 27600 VOLTS DELTA*
 OR
 OTHER _____

PRIMARY TAPS:
 2x2.5% FCAN, 2x2.5% FCBN
 SECONDARY VOLTAGE:
 600V/347 VOLTS
 OR
 480V/277 VOLTS
 OR
 OTHER _____



① NAME PLATE

PLAN VIEW

PRIMARY B.I.L.: 150 KV
 SECONDARY B.I.L.: 10 KV
 INSULATION CLASS: 220°C
 TEMPERATURE RISE: 150°C
 IMPEDANCE: STANDARD
 SOUND LEVEL: STANDARD

WINDING MATERIAL:

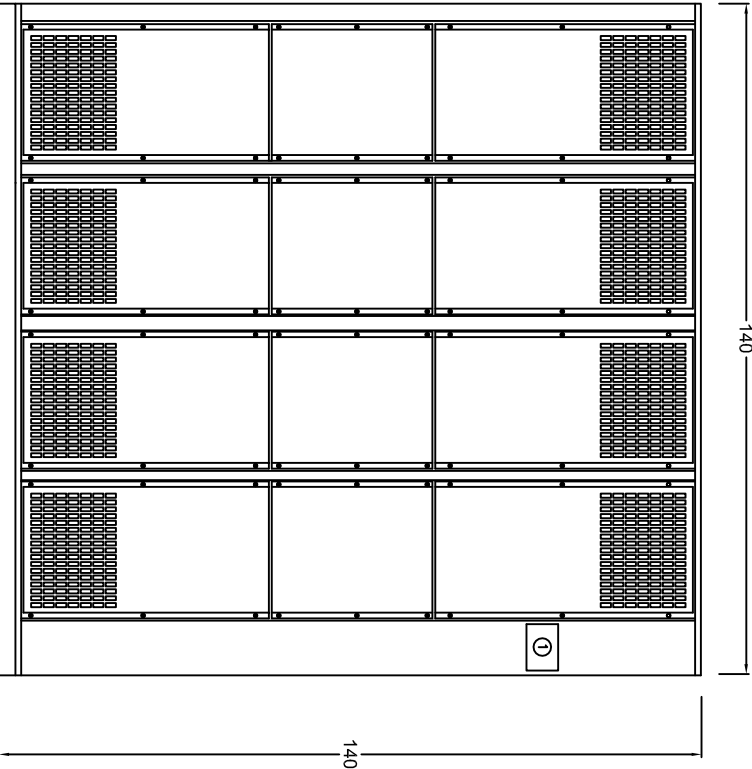
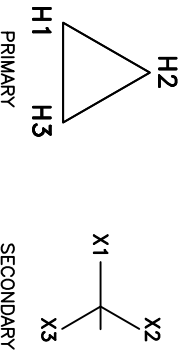
- COPPER
OR
- ALUMINUM

TERMINAL MATERIAL:

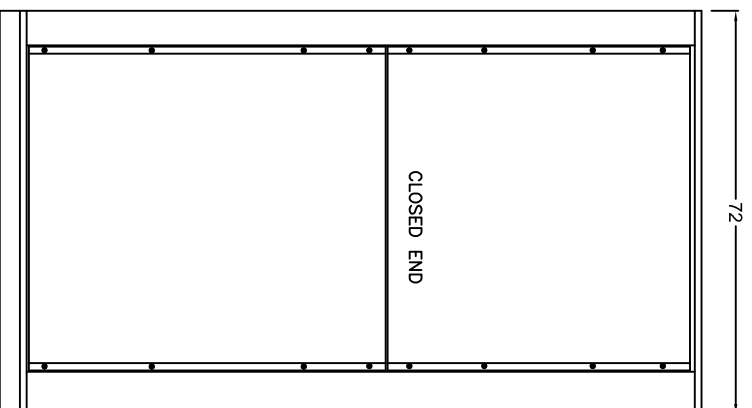
- COPPER
OR
- ALUMINUM

STANDARD FEATURES: ANTI-VIBRATION PADS

VECTOR DIAGRAM



FRONT VIEW



END VIEW

Note: Dimensions may change if units are co-ordinated with switchgear.

Dimensions are estimates. For firm dimensions contact factory.

*For Y-Y connection consult factory for dimensions

REV.	REMARKS	BY	DATE

REX POWER MAGNETICS
 DIVISION OF TRANSFACTOR INDUSTRIES INC.
 SCALE: N.T.S. DRAWN BY: SARKIS DATE: JUNE 8, 10
 CHECKED BY: DAMI DATE: JUNE 8, 10
 TITLE: 4750KVA 34.5KV CLASS ENCLOSURE OUTLINE
 NEMA-1
 DRAWING No. 4750KVA-BILL150-1