

- NOTE:
1. TRANSFORMER IS FREESTANDING IN ENCLOSURE
 2. METAL GAUGE TO CSA-C22 No. 94-M91
 3. PAINT ASA # 61 GRAY
 4. BOLTED, KNOCK DOWN CONSTRUCTION
 5. OPEN BOTTOM
 6. COVERED OPENING FOR ACCESS TO LIFTING POINTS

CSA TYPE 1 (NEMA 1)
INDOOR USE

APPROX. WEIGHT:
CORE & COIL: 29900 LBS
ENCLOSURE: 2800 LBS
TOTAL: 32700 LBS

TRANSFORMER:

KVA: 5000

PRIMARY VOLTAGE CLASS: 34.5 KV
 34500 VOLTS DELTA*
 OR
 27600 VOLTS DELTA*

PRIMARY TAPS:

2x2.5% FCAN, 2x2.5% FCBN

SECONDARY VOLTAGE:

600V/347 VOLTS
 OR
 480V/277 VOLTS
 OR
 OTHER

PRIMARY B.I.L.:

150 KV
 SECONDARY B.I.L.: 10 KV
 INSULATION CLASS: 220°C
 TEMPERATURE RISE: 150°C
 IMPEDANCE: STANDARD
 SOUND LEVEL: STANDARD

WINDING MATERIAL:

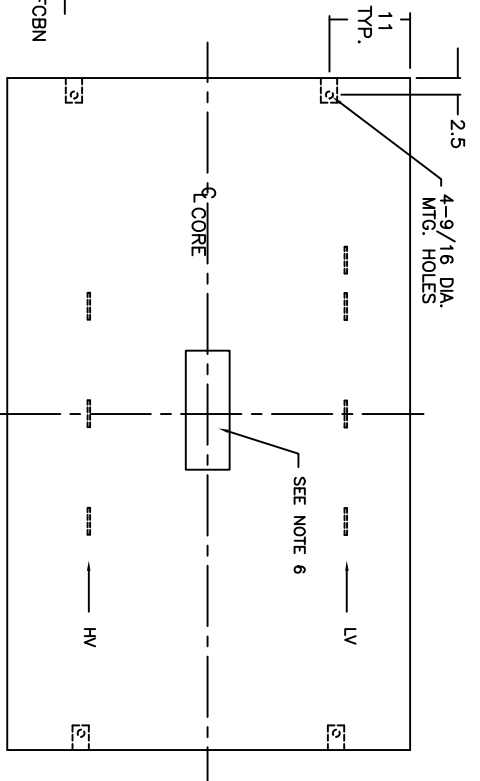
COPPER
 OR
 ALUMINUM

TERMINAL MATERIAL:

COPPER
 OR
 ALUMINUM

STANDARD FEATURES:

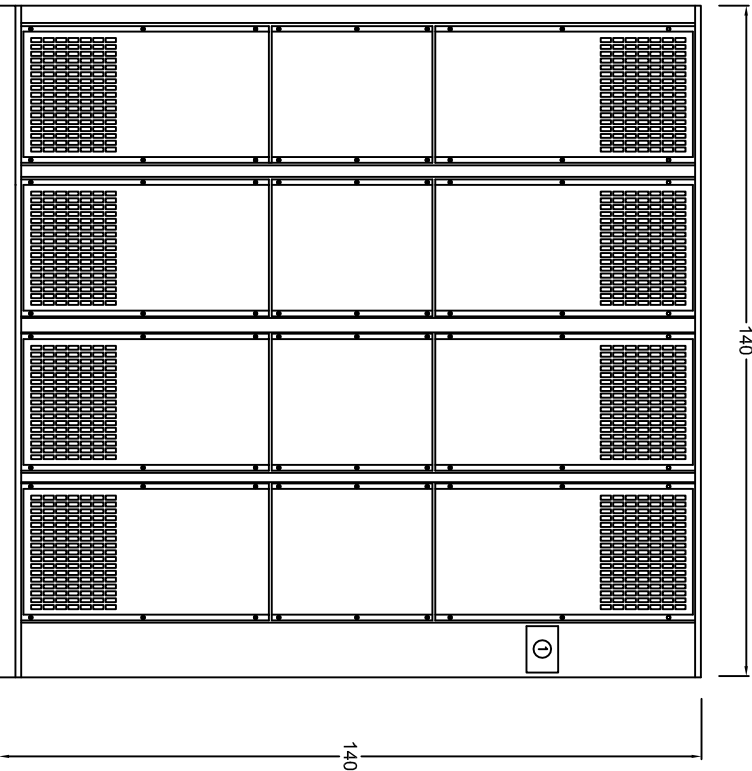
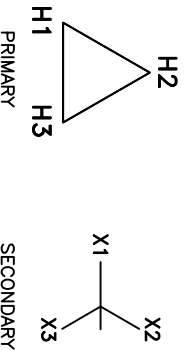
ANTI-VIBRATION PADS



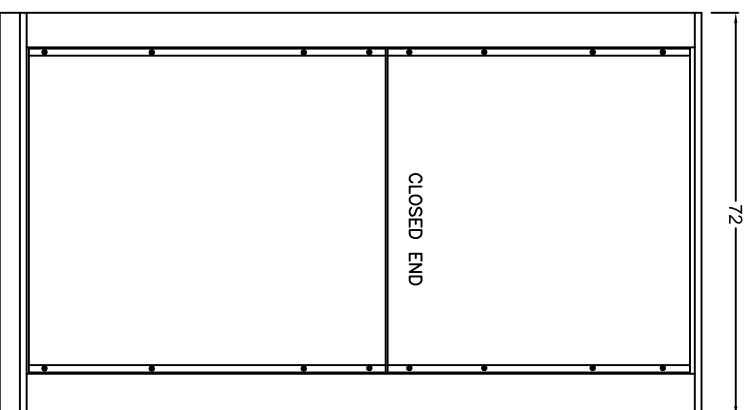
PLAN VIEW

① NAME PLATE

VECTOR DIAGRAM



FRONT VIEW



END VIEW

Note: Dimensions may change if units are co-ordinated with switchgear.

Dimensions are estimates. For firm dimensions contact factory.

*For Y-Y connection consult factory for dimensions

REV.	REMARKS	BY	DATE

REX POWER MAGNETICS
 DIVISION OF TRANSFACTOR INDUSTRIES INC.
 SCALE: N.T.S.
 DRAWN BY: SARKIS
 CHECKED BY: DAM
 DATE: JUNE 8, 1988
 TITLE: 5000KVA 34.5KV CLASS ENCLOSURE OUTLINE
 NEMA-1
 DRAWING No. 5000KVA-BILL50-1