

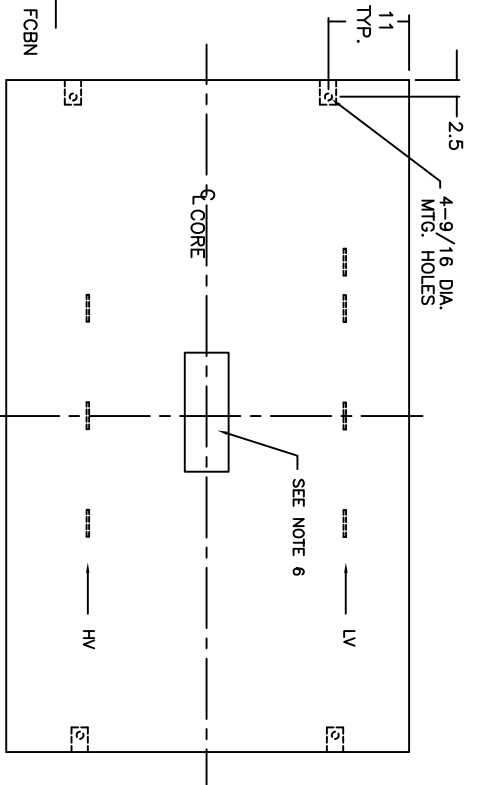
- NOTE:
1. TRANSFORMER IS FREESTANDING IN ENCLOSURE
 2. METAL GAUGE TO CSA-C22 No. 94-M91
 3. PAINT ASA # 61 GRAY
 4. BOLTED, KNOCK DOWN CONSTRUCTION
 5. OPEN BOTTOM
 6. COVERED OPENING FOR ACCESS TO LIFTING POINTS

CSA TYPE 1 (NEMA 1)
INDOOR USE

APPROX. WEIGHT:
CORE & COIL: 5000 LBS
ENCLOSURE: 1450 LBS
TOTAL: 6450 LBS

TRANSFORMER:

KVA: 500
PRIMARY VOLTAGE CLASS: 34.5 KV
 PRIMARY VOLTAGE: 34500 VOLTS DELTA*
 27600 VOLTS DELTA*
 OTHER _____
 PRIMARY TAPS: 2x2.5% FCAN, 2x2.5% FCBN
 SECONDARY VOLTAGE: 600Y/347 VOLTS
 480Y/277 VOLTS
 OTHER _____



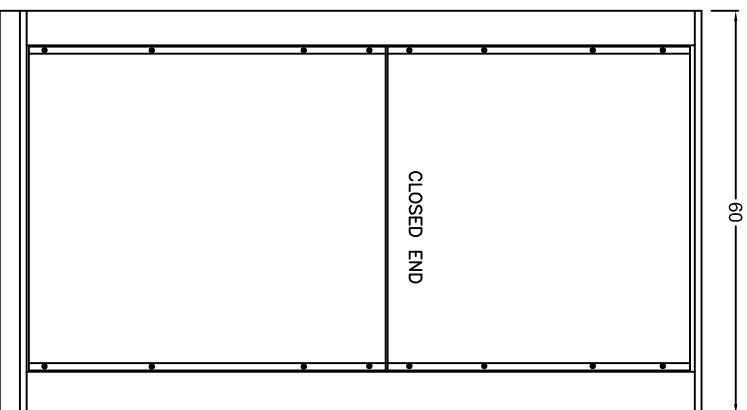
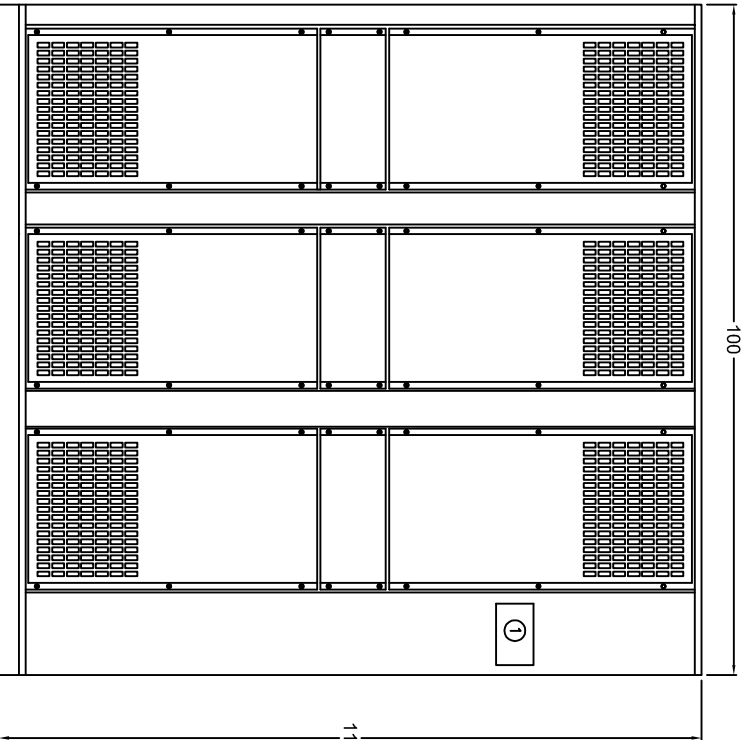
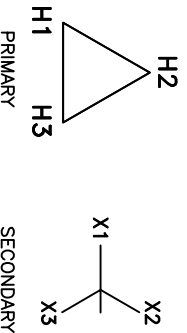
PRIMARY B.I.L.: 150 KV
SECONDARY B.I.L.: 10 KV
 INSULATION CLASS: 220°C
 TEMPERATURE RISE: 150°C
 IMPEDANCE: STANDARD
 SOUND LEVEL: STANDARD

WINDING MATERIAL: COPPER
 OR
 ALUMINUM

TERMINAL MATERIAL: COPPER
 OR
 ALUMINUM

STANDARD FEATURES: ANTI-VIBRATION PADS

VECTOR DIAGRAM



Note: Dimensions may change if units are co-ordinated with switchgear.

Dimensions are estimates. For firm dimensions contact factory.

*For Y-Y connection consult factory for dimensions

REV.	REMARKS	BY	DATE

REX POWER MAGNETICS
 DIVISION OF TRANSFORMER INDUSTRIES INC.
 DRAWING No. 500KVA-BIL150-1

SCALE: N.T.S. DRAWN BY: SARKIS DATE: JUNE 8, 1981 REV: 0
 CHECKED BY: DAM DATE: JUNE 8, 1981

TITLE: 500KVA 34.5KV CLASS ENCLOSURE OUTLINE
 NEMA-1