

- NOTE:
1. TRANSFORMER IS FREESTANDING IN ENCLOSURE
 2. METAL GAUGE TO CSA-C22 No. 94-M91
 3. PAINT ASA # 61 GRAY
 4. BOLTED, KNOCK DOWN CONSTRUCTION
 5. OPEN BOTTOM
 6. COVERED OPENING FOR ACCESS TO LIFTING POINTS

CSA TYPE 3R (NEMA 3R)
INDOOR / OUTDOOR

APPROX. WEIGHT:
CORE & COIL: 17000 LBS
ENCLOSURE: 1600 LBS
TOTAL: 18600 LBS

TRANSFORMER:

KVA: 3750

PRIMARY VOLTAGE CLASS: 15 KV

PRIMARY VOLTAGE: 13800 VOLTS DELTA

12470 VOLTS DELTA

OTHER _____

PRIMARY TAPS: 2x2.5% FCAN, 2x2.5% FCBN

SECONDARY VOLTAGE: 600Y/347 VOLTS

480Y/277 VOLTS

OTHER _____

PRIMARY B.I.L.: 60 KV

SECONDARY B.I.L.: 10 KV

INSULATION CLASS: 220°C

TEMPERATURE RISE: 150°C

IMPEDANCE: STANDARD

SOUND LEVEL: STANDARD

WINDING MATERIAL: COPPER

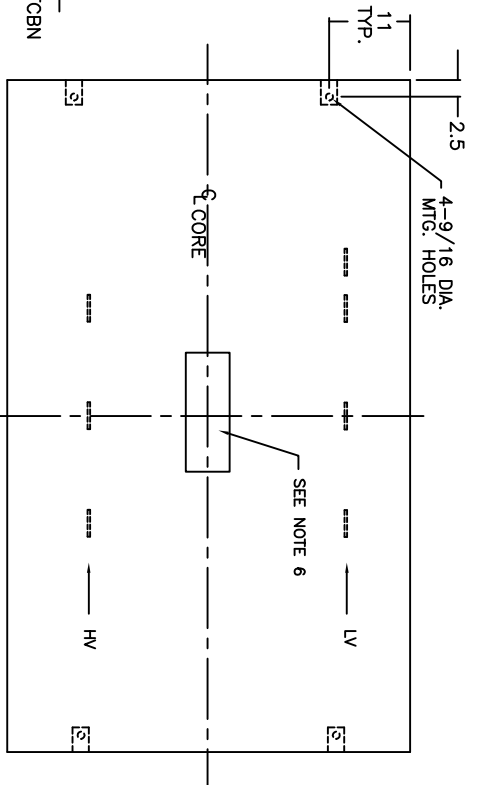
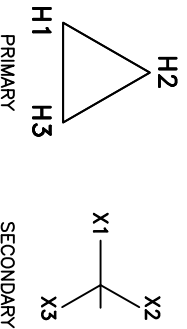
OR ALUMINUM

TERMINAL MATERIAL: COPPER

OR ALUMINUM

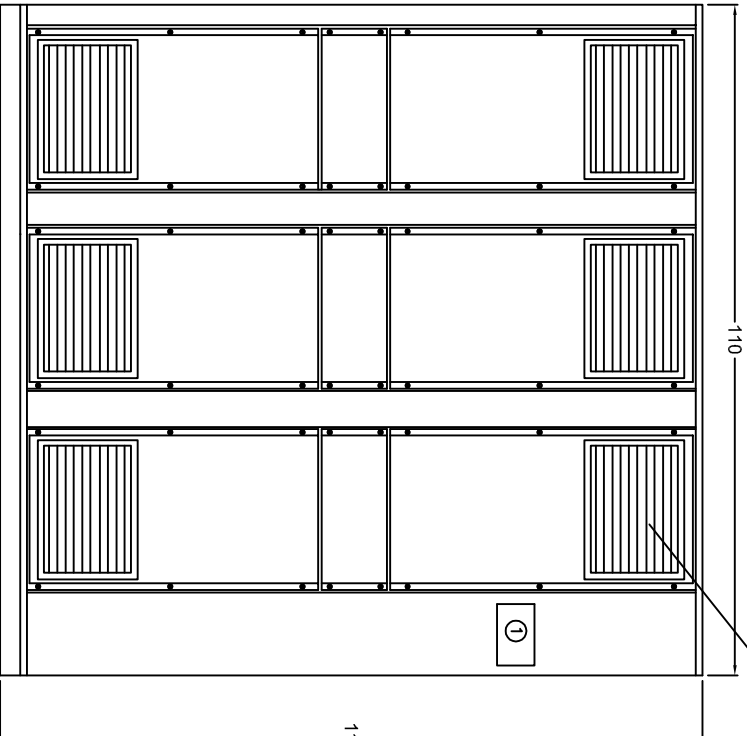
STANDARD FEATURES: ANTI-VIBRATION PADS

VECTOR DIAGRAM

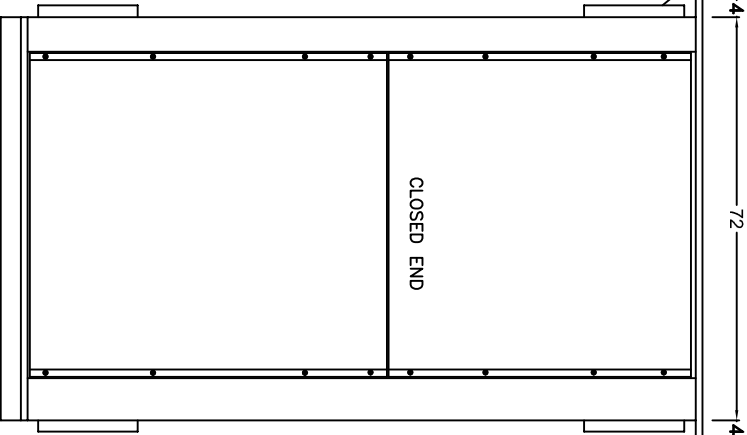


PLAN VIEW
(COVER REMOVED)

① NAME PLATE



FRONT VIEW



END VIEW

Note: Dimensions may change if units are co-ordinated with switchgear.
Dimensions are estimates. For firm dimensions contact factory.

REV.	REMARKS	BY	DATE

REX POWER MAGNETICS
DIVISION OF TRANSFORMER INDUSTRIES INC.

DESIGNED BY: SARKIS DATE: JUNE 8, 1970
DRAWN BY: DAMI DATE: JUNE 8, 1970

TITLE: 3750KVA 15KV GLASS ENCLOSURE OUTLINE
NEMA-3R

DRAWING No. 3750KVA-BL60-3R