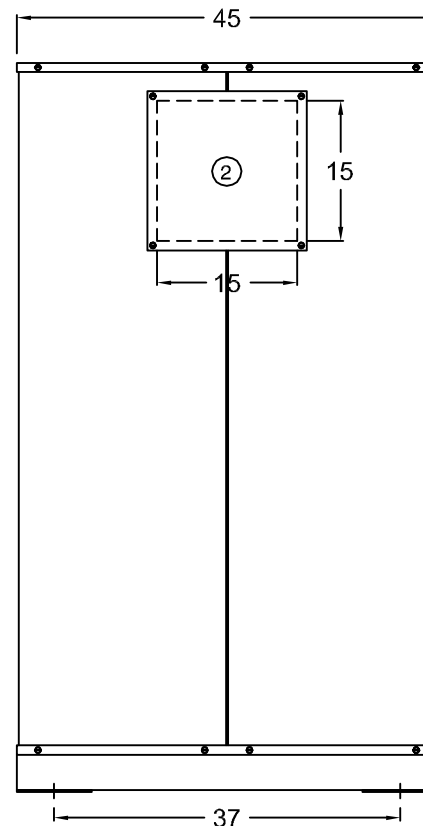


FRONT VIEW

4 Mounting Holes

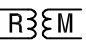


SIDE VIEW

- ① NAME PLATE
- ② CUTOUT WITH REMOVABLE PANELS AT EACH END FOR CABLE ENTRY

CSA ENCLOSURE:

- TYPE 1 (NEMA 1)
- INDOOR VENTILATED
- PAINTED: ASA 61 GREY
- FLOOR MOUNTING

REV.	REMARKS	BY:	DATE:
 REX MANUFACTURING DIVISION OF TRANSFACTOR INDUSTRIES INC.			
DRAWN BY: AP		DATE: JUNE 18, 2008	
CHECKED BY: V.S.		DATE: JUNE 18, 2008	
TITLE: ENCLOSURE OUTLINE SIZE # 12			
SCALE: N.T.S.	NEMA 1		DRAWING No: