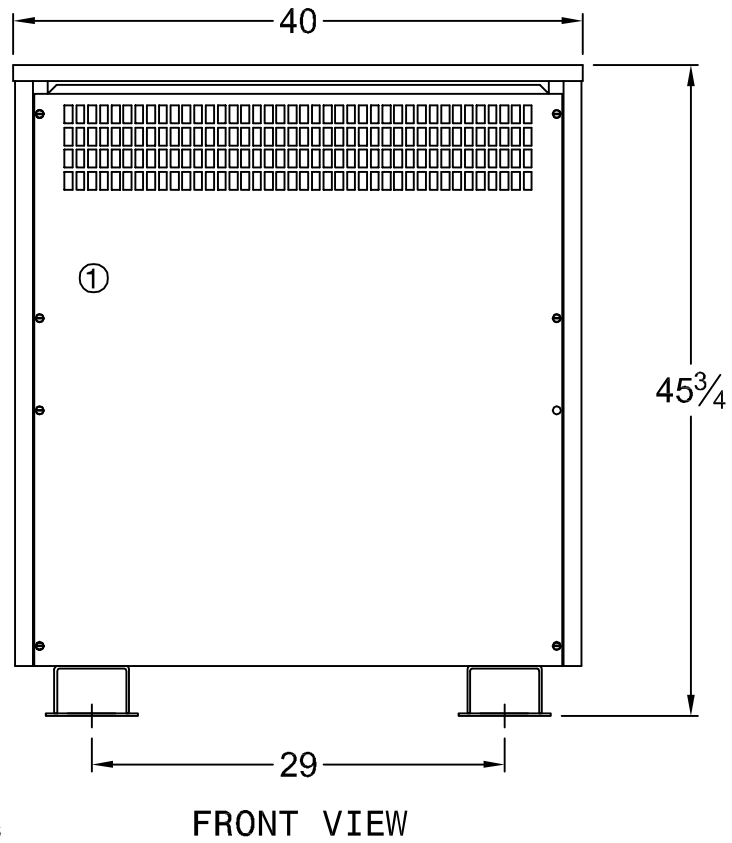
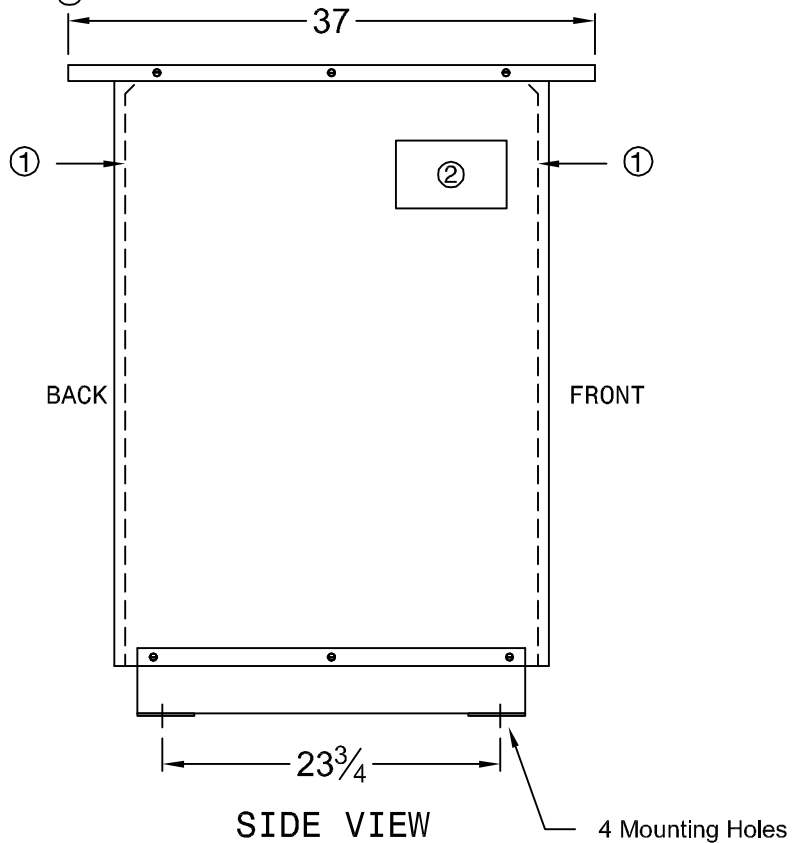


① - REMOVABLE PANELS FOR EASY ACCESS TO TERMINALS

② - NAME PLATE



**CSA ENCLOSURE:**

- TYPE 2 (NEMA 2)
- INDOOR VENTILATED
- PAINTED: ASA 61 GREY
- FLOOR MOUNTING

REV.	REMARKS	BY:	DATE:
<b>REM</b>		<b>REX MANUFACTURING</b>	
<small>DIVISION OF TRANSFACTOR INDUSTRIES INC.</small>			
DRAWN BY: AP		DATE: JULY 3, 2008	
CHECKED BY: V.S.		DATE: JULY 3, 2008	
TITLE: ENCLOSURE OUTLINE # 9			
SCALE: N.T.S.	TYPE: NEMA 2	DRAWING No:	