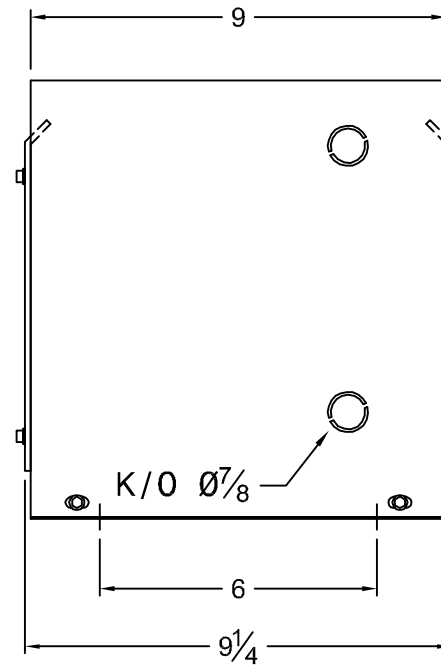


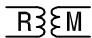
FRONT VIEW



SIDE VIEW

CSA ENCLOSURE:

- TYPE 1 (NEMA 1)
- INDOOR VENTILATED
- PAINTED: ASA 61 GREY
- FLOOR MOUNTING

REV.	REMARKS	BY:	DATE:
 REX MANUFACTURING DIVISION OF TRANSFACTOR INDUSTRIES INC.			
DRAWN BY: AP		DATE: JAN.09, 2008	
CHECKED BY: V.S.		DATE: JAN.09, 2008	
TITLE: ENCLOSURE OUTLINE # 1			
SCALE: N.T.S	TYPE: NEMA 1	DRAWING No:	