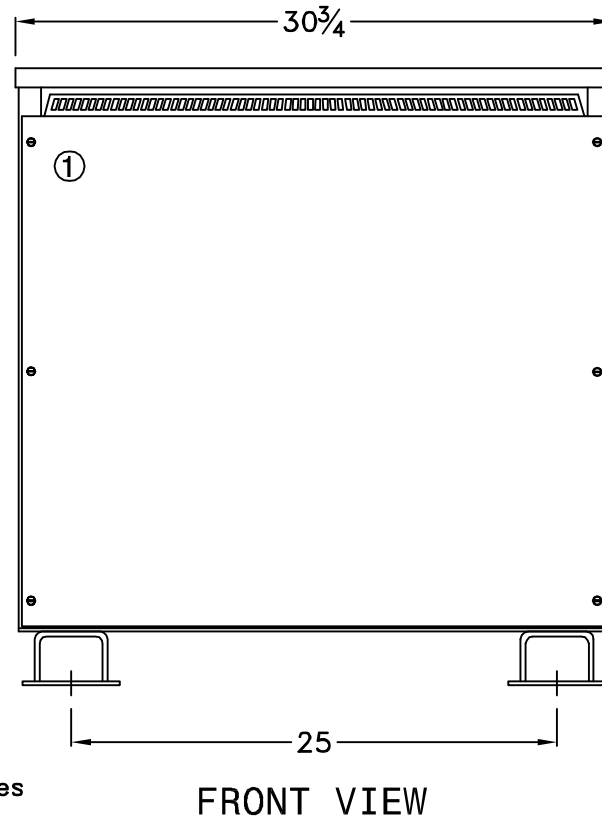
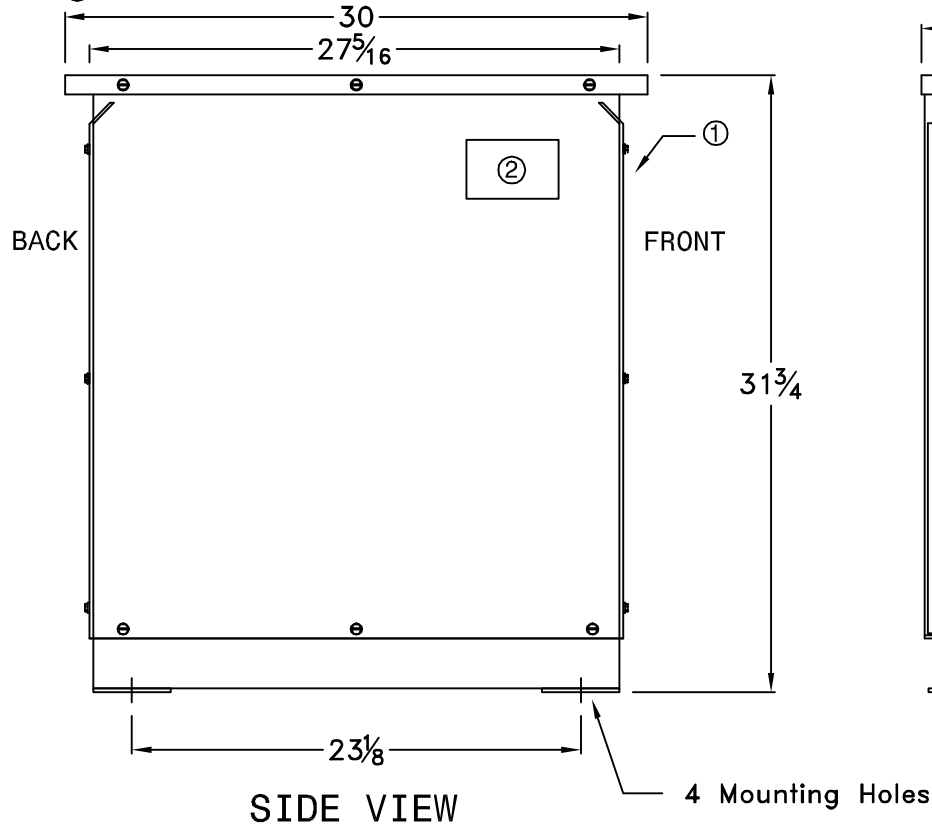


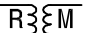
① - REMOVABLE PANELS FOR EASY ACCESS TO TERMINALS

② - NAME PLATE



CSA ENCLOSURE :

- TYPE 3R (NEMA 3R)
- INDOOR/OUTDOOR VENTILATED
- PAINTED: ASA 61 GREY
- FLOOR MOUNTING

REV.	REMARKS	BY:	DATE:
 REX MANUFACTURING <small>DIVISION OF TRANSFACTOR INDUSTRIES INC.</small>			
DRAWN BY:	AP	DATE:	JAN.5, 2010
CHECKED BY:	V.S.	DATE:	JAN.5, 2010
TITLE: ENCLOSURE OUTLINE # 8			
SCALE:	N.T.S.	TYPE:	DRAWING No: