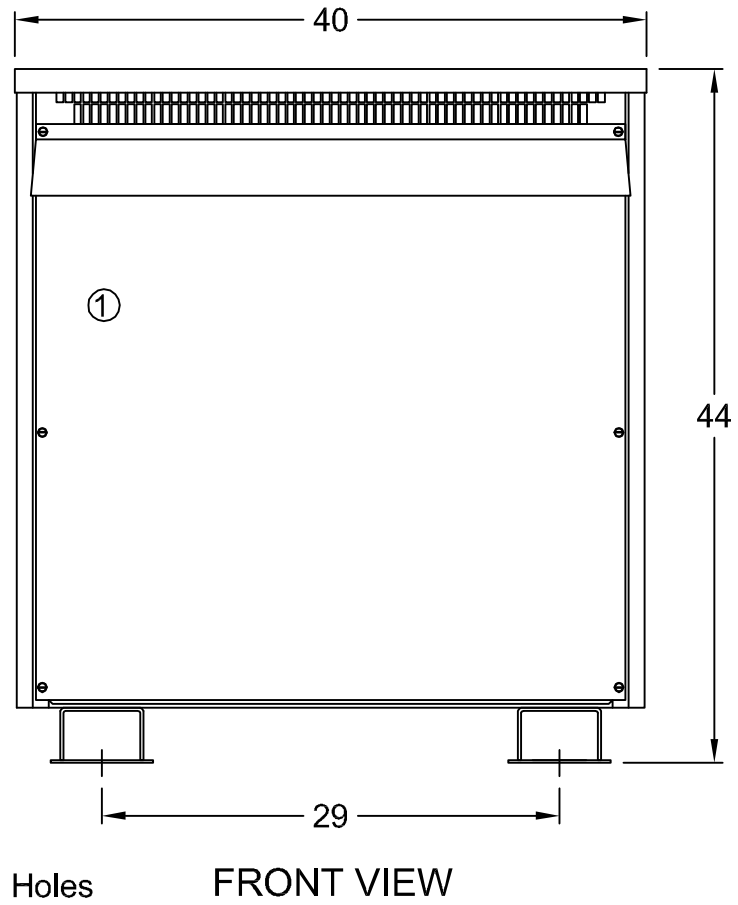
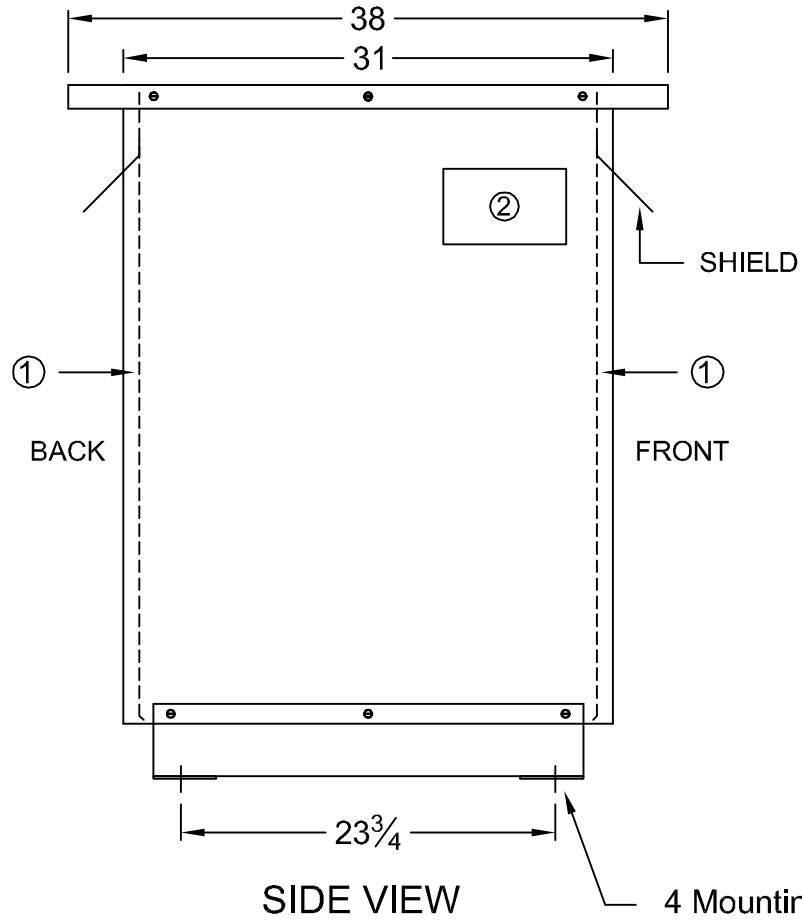


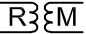
- ① -REMOVABLE PANELS FOR EASY ACCESS TO TERMINALS
- ② -NAME PLATE



4 Mounting Holes

**CSA ENCLOSURE:**

- TYPE 3 (NEMA 3R)
- INDOOR/OUTDOOR VENTILATED
- PAINTED: ASA 61 GREY
- FLOOR MOUNTING

REV.	REMARKS	BY:	DATE:
 <b>REX MANUFACTURING</b> <small>DIVISION OF TRANSFACTOR INDUSTRIES INC.</small>			
DRAWN BY:	AP	DATE:	JAN.4, 2010
CHECKED BY:	V.S.	DATE:	JAN.4, 2010
TITLE: Enc.#9			
SCALE:	N.T.S.	PO#:	DRAWING No: