

REX POWER MAGNETICS

DIVISION OF TRANSFACTOR INDUSTRIES INC.

25 BAYWOOD ROAD, REXDALE, ON., M9V 3Y8 TEL.: (416) 747-7818 FAX: (416) 747-1956

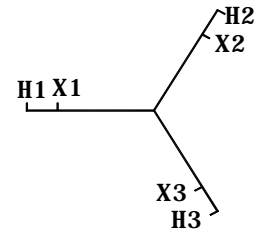
**SPECIFICATION SHEET
AUTO TRANSFORMER
TYPE: ANN-SELF COOLED**

CAT. NO.: RC9HB
KVA: 9
PRIMARY: 480 V
SECONDARY: 208 V
PHASE: 3
Hz: 60
WEIGHT: 110 Lbs
INSULATION CLASS: 220EC
TEMPERATURE RISE: 150EC

TERMINATION/LOCATION:
PRIMARY (HV): SCREWS FRONT
SECONDARY (LV): SCREWS FRONT

STANDARDS:
 -CSA Certified
 -UL Listed

COILS: Copper Wound
SPECIAL FEATURES: ANTI-VIBRATION PADS INSTALLED.



Wiring Connection:

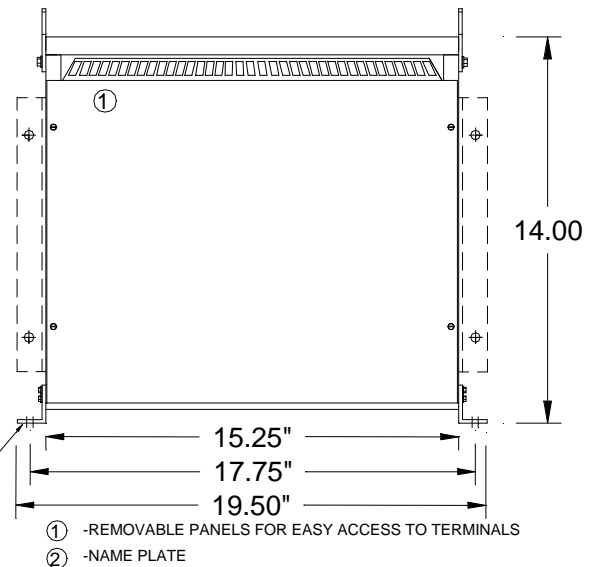
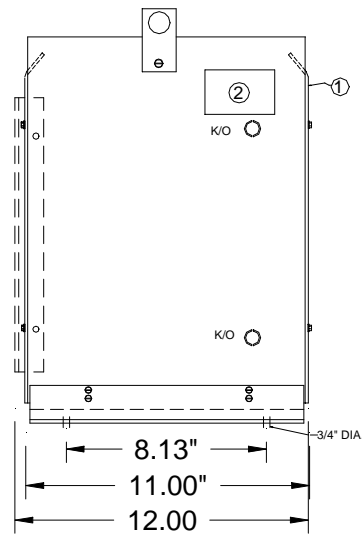
Primary:

Volts	Phase	Connect Lines to:
480	3	H1-H2-H3

Secondary:

Volts	Phase	Connect Loads to:
208	3	X1-X2-X3

- CSA Enclosure
- Type 2 (NEMA 2)
- Drip Proof
- Indoor Ventilated
- ASA 61 Grey
- Floor/Wall Mounting



- ① -REMOVABLE PANELS FOR EASY ACCESS TO TERMINALS
- ② -NAME PLATE