

**REX POWER MAGNETICS**

DIVISION OF TRANSFACTOR INDUSTRIES INC.

25 BAYWOOD ROAD, REXDALE, ON., M9V 3Y8 TEL.: (416) 747-7818 FAX: (416) 747-1956

**SPECIFICATION SHEET  
 AUTO TRANSFORMER  
 TYPE: ANN-SELF COOLED**

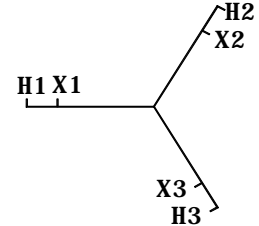
**CAT. NO.:** RC300JC  
**KVA:** 300  
**PRIMARY:** 600 V  
**SECONDARY:** 240 V  
**PHASE:** 3  
**Hz:** 60

**WEIGHT:** 1300 Lbs  
**INSULATION CLASS:** 220EC  
**TEMPERATURE RISE:** 150EC

**TERMINATION/LOCATION:**  
**PRIMARY (HV):** 2-600 MCM FRONT  
**SECONDARY (LV):** Copper Bus FRONT

**STANDARDS:**  
 -CSA Certified  
 -UL Listed

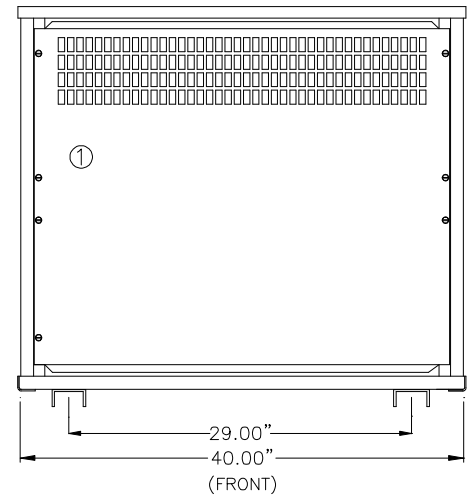
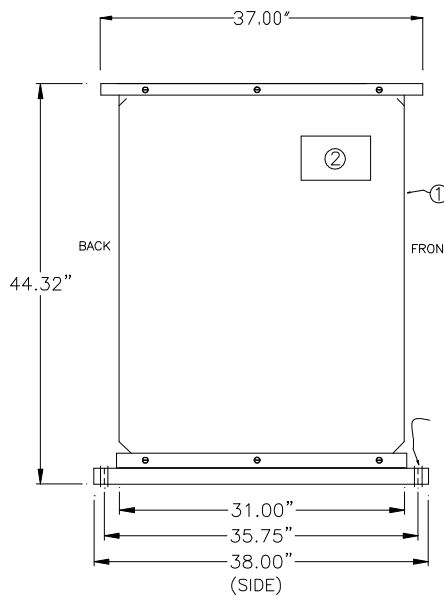
**COILS:** Copper Wound  
**SPECIAL FEATURES:** ANTI-VIBRATION PADS INSTALLED.



Wiring Connection:

**Primary:**  
 Volts Phase Connect Lines to:  
**Secondary:**  
 Volts Phase Connect Loads to:  
 240 3 X1-X2-X3

- CSA Enclosure
- Type 2 (NEMA 2)
- Sprinklerproof when the angle between sprinkler heads and opening in the enclosure does not exceed 45E from the vertical
- Indoor Ventilated
- ASA 61 Grey
- Floor Mounting



- ① -REMOVABLE PANELS FOR EASY ACCESS TO TERMINALS
- ② -NAME PLATE