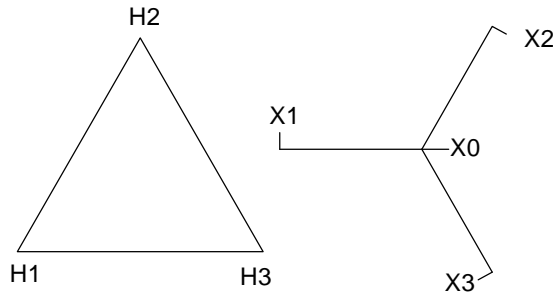


PRIMARY: H1-H2-H3

VOLTAGE	%TAPS	LINKS
630	105.0	1-2
615	102.5	2-3
600	100.0	3-4
585	97.5	4-5
570	95.0	5-6

SECONDARY:

VOLTAGE	PHASES	TERMINALS
208	3	X1-X2-X3
120	1	X0-X1
120	1	X0-X2
120	1	X0-X3



3 PHASE TRANSFORMER

TYPE: ANN-SELF COOLED

CAT.NO.:	BC300JM/E3R
KVA:	300
PRIMARY:	600 V DELTA
TAPS:	±2x2.5%
SECONDARY:	208Y/120 V
IMPEDANCE:	5.0%-6.0%
INSULATION CLASS:	220° C
TEMPERATURE RISE:	150° C.
BIL:	10 KV.
FREQUENCY:	60 Hz
WEIGHT:	1840 Lbs
COILS:	COPPER WOUND

TERMINATION:

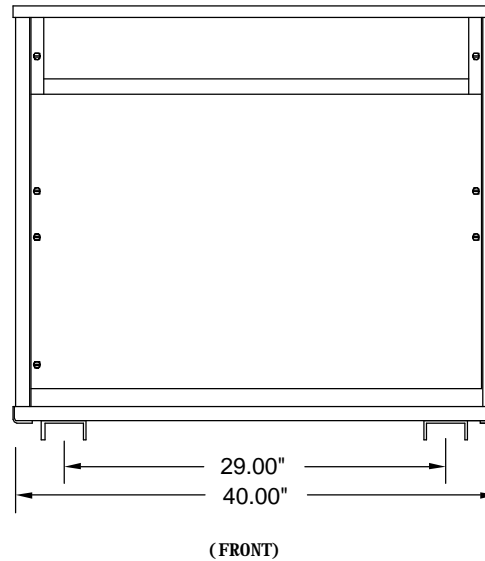
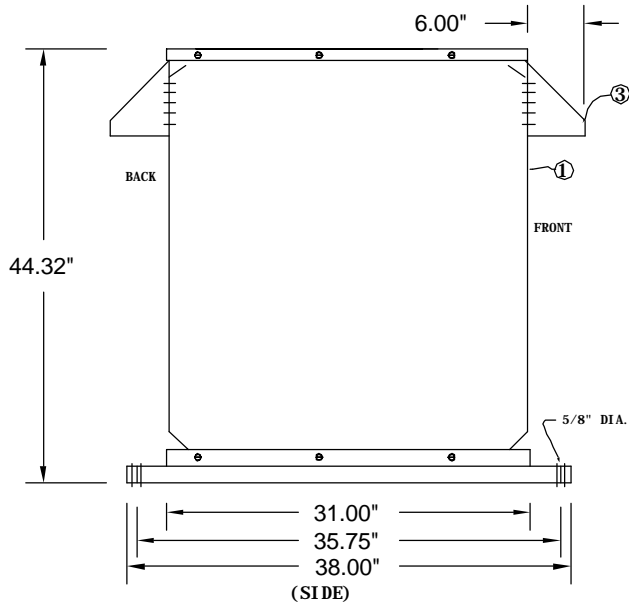
-PRIMARY	2-600 MCM 1/PH
-SECONDARY	COPPER BUS ONLY

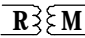
STANDARDS:

- CSA CERTIFIED
- UL LISTED

CSA ENCLOSURE:

- TYPE 3R (NEMA 3R)
- SPRINKLER PROOF
- INDOOR VENTILATED
- ASA 61 GREY
- FLOOR MOUNTING



REV.	REMARKS	BY:	DATE:
 REX MANUFACTURING DIVISION OF TRANSFACTOR INDUSTRIES INC.			
DRAWN BY:	SARKIS	DATE:	OCTOBER 12, 2005
CHECKED BY:	V.S.	DATE:	OCTOBER 12, 2005
TITLE:		REV.:	0
3 PHASE, 300 kVA, 600 V, 208Y/120 V, COPPER		SWO#:	0
SCALE:	N.T.S.	CUSTOMER:	NO: 1