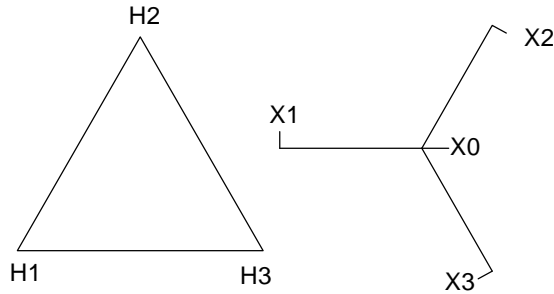


PRIMARY: H1-H2-H3

VOLTAGE	%TAPS	JUMPERS
630	105	1-1-1
600	100	2-2-2
575	95	3-3-3

SECONDARY:

VOLTAGE	PHASES	TERMINALS
208	3	X1-X2-X3
120	1	X0-X1
120	1	X0-X2
120	1	X0-X3



3 PHASE TRANSFORMER

TYPE: ANN-SELF COOLED

CAT.NO.:	BC3JM/E3R
KVA:	3
PRIMARY:	600 V DELTA
TAPS:	±5%
SECONDARY:	208Y/120 V
IMPEDANCE:	6.5%-7.5%
INSULATION CLASS:	220° C
TEMPERATURE RISE:	115° C.
BIL:	10 KV.
FREQUENCY:	60 Hz
WEIGHT:	95 Lbs
COILS:	COPPER WOUND

TERMINATION:

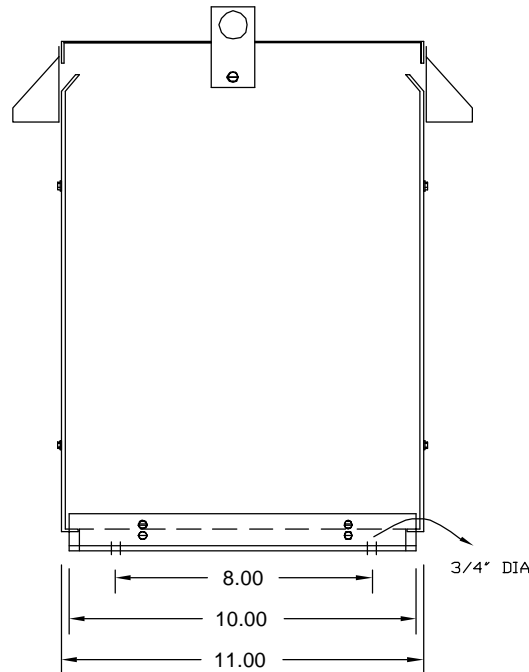
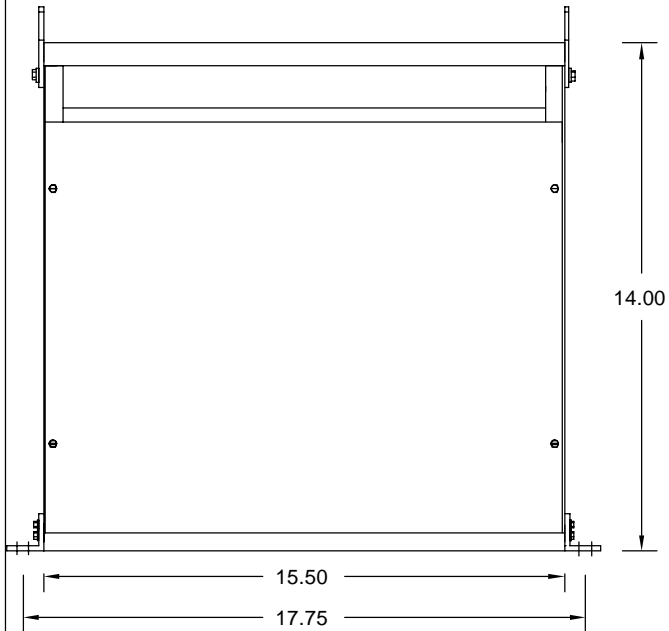
-PRIMARY	TERMINAL BLOCKS
-SECONDARY	TERMINAL BLOCKS

STANDARDS:

- CSA CERTIFIED
- UL LISTED

CSA ENCLOSURE:

- TYPE 3R (NEMA 3R)
- SPRINKLER PROOF
- INDOOR VENTILATED
- ASA 61 GREY
- FLOOR MOUNTING



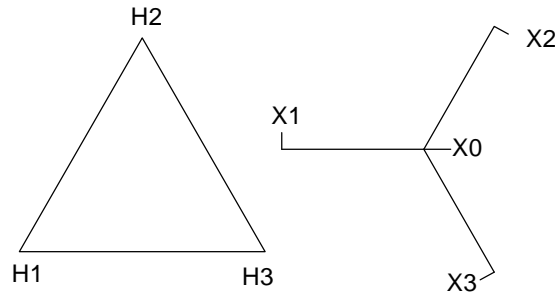
REV.	REMARKS	BY:	DATE:
REX MANUFACTURING DIVISION OF TRANSFACTOR INDUSTRIES INC.			
DRAWN BY:	SARKIS	DATE:	OCTOBER 11, 2005
CHECKED BY:	v.s.	DATE:	OCTOBER 11, 2005
TITLE:		REV.:	0
3 PHASE, 3 kVA, 600 V, 208Y/120 V, COPPER		SWO#:	0
SCALE:	N.T.S.	CUSTOMER:	NO: 1

PRIMARY: H1-H2-H3

VOLTAGE	%TAPS	JUMPERS
630	105	1-1-1
600	100	2-2-2
575	95	3-3-3

SECONDARY:

VOLTAGE	PHASES	TERMINALS
208	3	X1-X2-X3
120	1	X0-X1
120	1	X0-X2
120	1	X0-X3



3 PHASE TRANSFORMER

TYPE: ANN-SELF COOLED

CAT.NO.:	BC6JM/E3R
KVA:	6
PRIMARY:	600 V DELTA
TAPS:	±5%
SECONDARY:	208Y/120 V
IMPEDANCE:	6.5%-7.5%
INSULATION CLASS:	220° C
TEMPERATURE RISE:	150° C.
BIL:	10 KV.
FREQUENCY:	60 Hz
WEIGHT:	140 Lbs
COILS:	COPPER WOUND

TERMINATION:

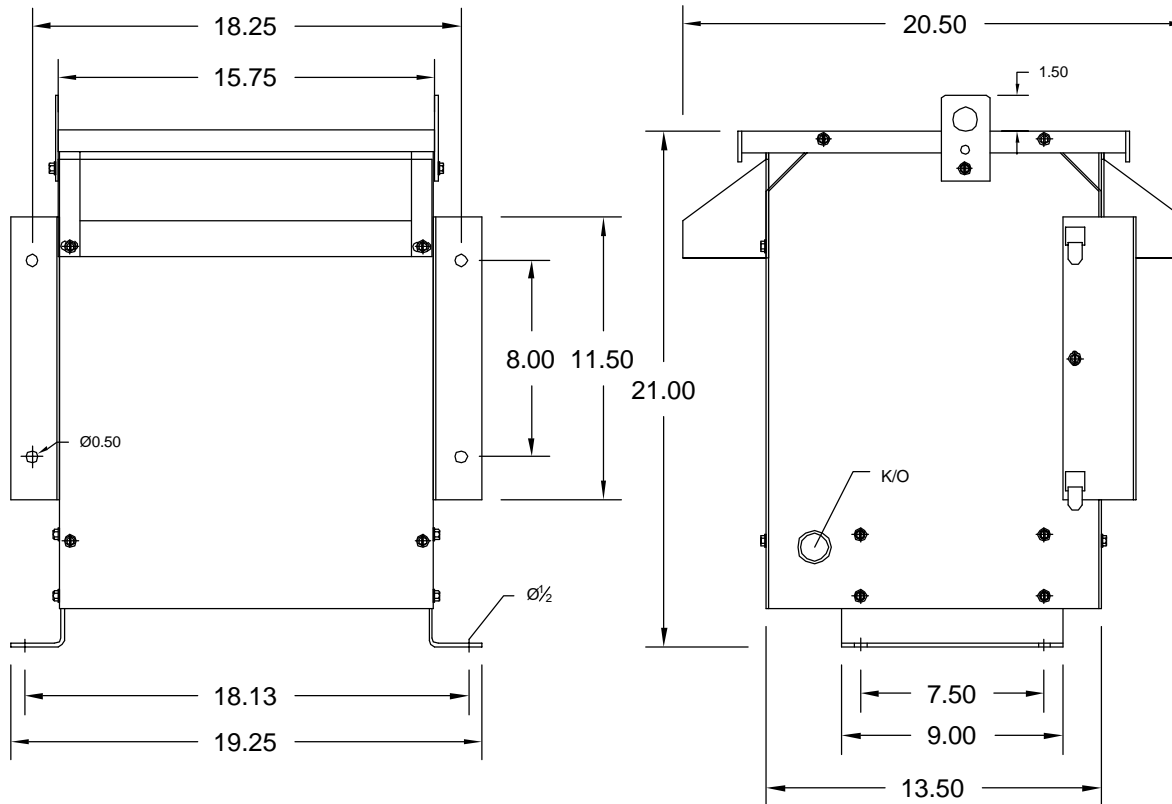
-PRIMARY	2-14 AWG
-SECONDARY	2-14 AWG

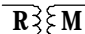
STANDARDS:

- CSA CERTIFIED
- UL LISTED

CSA ENCLOSURE:

- TYPE 3R (NEMA 3R)
- SPRINKLER PROOF
- INDOOR VENTILATED
- ASA 61 GREY
- FLOOR MOUNTING



REV.	REMARKS	BY:	DATE:
 REX MANUFACTURING DIVISION OF TRANSFACTOR INDUSTRIES INC.			
DRAWN BY:	SARKIS	DATE:	OCTOBER 11, 2005
CHECKED BY:	v.s.	DATE:	OCTOBER 11, 2005
TITLE:		REV.:	0
3 PHASE, 6 kVA, 600 V, 208Y/120 V, COPPER		SWO#:	0
SCALE:	N.T.S.	CUSTOMER:	NO: 1