

REX MANUFACTURING

DIVISION OF TRANSFACTOR INDUSTRIES INC.

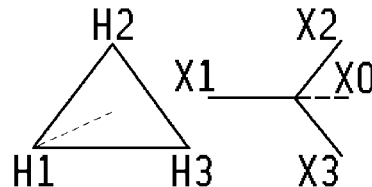
25 BAYWOOD ROAD, REXDALE, ON.,M9V 3Y8 TEL.: (416) 747-7818 FAX: (416) 747-1956

PRELIMINARY SPECIFICATION SHEET

ISOLATION TRANSFORMER

TYPE: ANN-SELF COOLED

CAT. NO.: BC3HM
KVA: 3
PRIMARY: 480 Delta
SECONDARY: 208Y/120
PHASE: 3
Hz: 60



WEIGHT: 85 Lbs
INSULATION CLASS: 185EC
TEMPERATURE RISE: 115EC
IMPEDANCE: 7.0%-8.0%
TAPS: ± 5%
BIL: 10 KV

Wiring Connection:

Primary: H1-H2-H3

Volts	%Taps	Leads Marked
504	105	1-1-1
480	100	2-2-2
456	95	3-3-3

Secondary: X0-X1-X2-X3

Volts	Phase	Connect Loads to:
208	3	X1-X2-X3
120	1	X0-X1
and/or		X0-X2
and/or		X0-X3

TERMINATION/LOCATION:

PRIMARY (HV): TERMINAL BLOCKS FRONT
SECONDARY (LV): TERMINAL BLOCKS FRONT

STANDARDS:

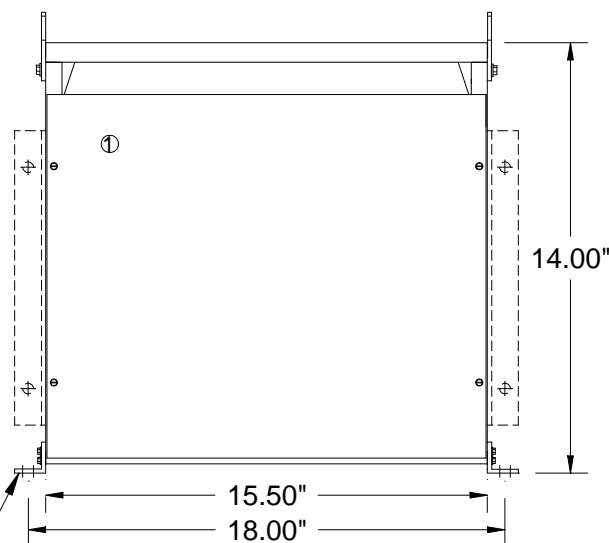
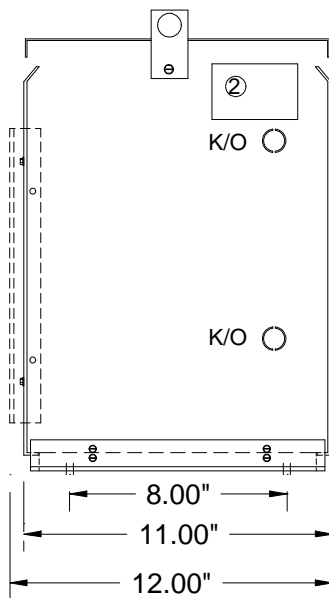
- CSA Certified
- UL Listed

COILS: Copper Wound

SPECIAL FEATURES: ANTI-VIBRATION PADS INSTALLED.

CSA Enclosure

- Type 2 (NEMA 2)
- Drip Proof
- Indoor Ventilated
- ASA 61 Grey
- Floor/Wall Mounting



REMOVABLE BRACKETS FOR WALL MOUNTING

- ① -REMOVABLE PANELS ESY ACCESS TO TERMINALS
- ② -NAME PLATE