



REX POWER MAGNETICS

DIVISION OF TRANSFACTOR INDUSTRIES INC.
 65 Basallic Rd. Concord, ON, L4K 1G4 Canada
 Tel: 905-695-8844, 1-800-387-2840 Fax: 905-695-8855
 www.RexPowerMagnetics.com

EPOXY ENCAPSULATED TRANSFORMER

- 3 Phase Isolation
- Dry Type
- ANC Self Cooled

Purchaser: TBA
 PO#: TBA
 SWO#: TBA
 Qty: TBA

PRELIMINARY DRAWING ONLY
 This drawing may NOT truly reflect our Final Design. Any resulting order(s) must be accompanied by, or refer to this drawing and be marked with any proposed changes.

Coils: Copper Wound
 Cat. No.: BC30J-M/EP

kVA: 30
 Primary: 600 Delta Volts
 Secondary: 208 Y/120 Volts
 Primary Taps: 2.5 %
 -Taps FCAN: 2
 -Taps FCBN: 2

Frequency: 60 Hz

Insulation Class: 200° C
 Temperature Rise: 130° C Max.

BIL: 10 kV
 Impedance: 3.0 - 4.0 %
 Weight: 540 Lbs

Termination	Location	Lug Size
Primary:	Front	2-14 AWG
Secondary:	Front	2-14 AWG

Wiring Connection:

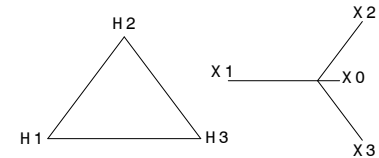
Primary:	H1-H2-H3	Jumpers To:
Voltage	% Tap	
630	105.0	1-1-1
615	102.5	2-2-2
600	100.0	3-3-3
585	97.5	4-4-4
570	95.0	5-5-5

Secondary:	X0-X1-X2-X3	Connect Loads To:
Voltage	Phase	
208	3	X1-X2-X3
120	1	X0-X1, X0-X2, and/or X0-X3

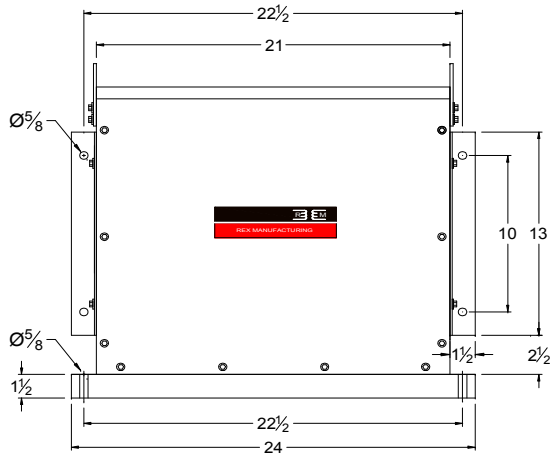
Standards:

1. CSA Certified
 - File No. LR34493
2. UL Listed
 - File No. E108255

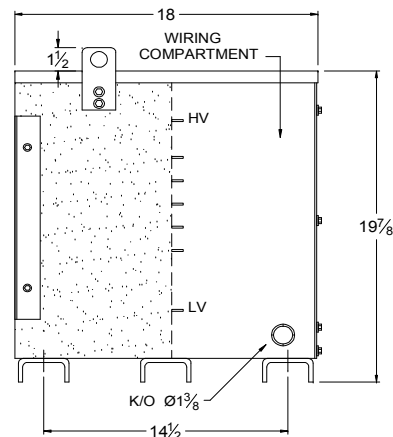
Vector Group



30° Phase Shift



FRONT VIEW



SIDE VIEW

CSA Enclosure:

- Type 3R (NEMA 3R)
- Indoor/Outdoor Application
- ASA 61 Grey
- Floor/Wall Mounting

Prepared by: AP
 Approved by: VS
 Date: JAN.25, 2008