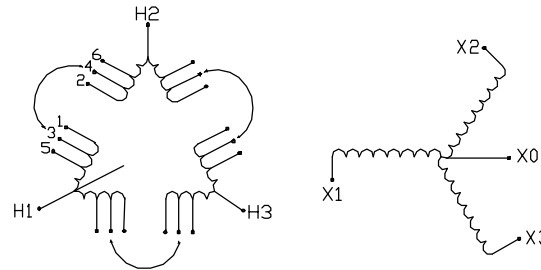


### 3 PHASE DRIVE ISOLATION TRANSFORMER

TYPE: ANN-SELF COOLED

PRIMARY: H1-H2-H3

VOLTAGE	%TAPS	JUMPERS
483	105	1-2
471	102.5	2-3
460	100	3-4
448	97.5	4-5
437	95	5-6



SPECIAL FEATURES:

- NC 200°C THERMOSTATS ONE IN CENTRE COIL
- SUITABLE FOR NONSINUSOIDAL CURRENT LOAD WITH A K FACTOR NOT TO EXCEED 4

CAT.NO.:

-REX'S DA220H1P1

-CUSTOMER'S N/A

KVA: 220

PRIMARY: 460 DELTA

TAPS: ±2x2.5%

SECONDARY: 460Y/266

IMPEDANCE: 5.0%

INSULATION CLASS: 220° C

TEMPERATURE RISE: 150° C.

BIL: 10 KV.

FREQUENCY: 60 Hz

WEIGHT: 1550 Lbs

COILS: ALUMINUM WOUND

SECONDARY: X0-X1-X2-X3

VOLTAGE	PHASE	TERMINALS
460	3	X1-X2-X3
266	1	X0-X1
266	1	X0-X2
266	1	X0-X3

TERMINATION:

-PRIMARY 2-600 MCM LUGS

-SECONDARY 2-600 MCM LUGS

STANDARDS:

-CSA CERTIFIED

-UL LISTED

CSA ENCLOSURE:

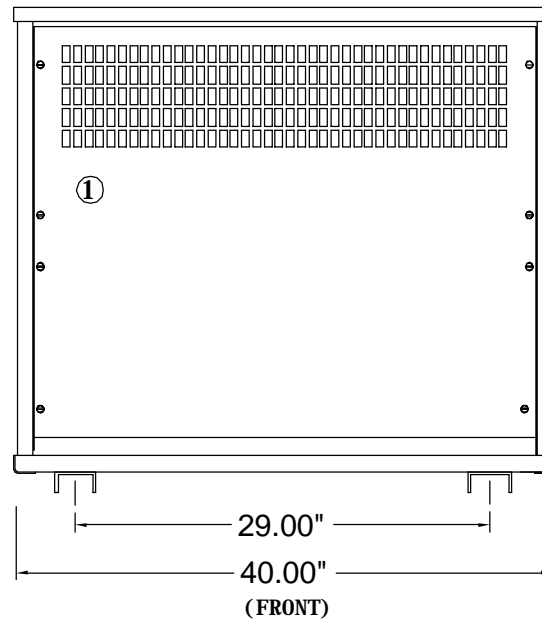
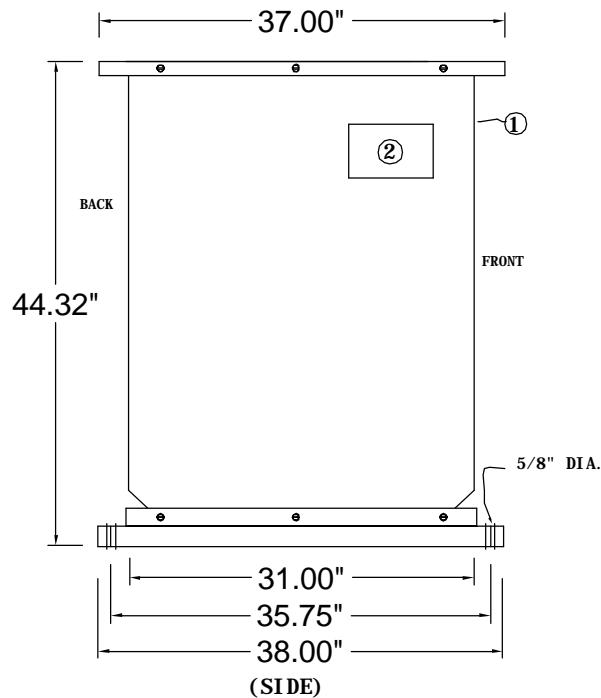
-TYPE 2 (NEMA 2)

-DRIPPROOF

-INDOOR USE

-ASA 61 GREY

-FLOOR MOUNTING



① - REMOVABLE PANELS FOR EASY ACCESS TO TERMINALS

② - NAME PLATE

REV.	REMARKS	BY:	DATE:
<b>REX POWER MAGNETICS</b> DIVISION OF TRANSFACTOR INDUSTRIES INC.			
DRAWN BY:	SARKIS	DATE:	AUGUST 25, 2004
CHECKED BY:	vs	DATE:	AUGUST 25, 2004
REV.:	0	SWO#:	0
TITLE: TRANSFORMER OUTLINE			
3 PHASE, 220 KVA, 460D, 460Y/266, ALUMINUM			
SCALE:	N.T.S.	CUSTOMER:	NO: 1-1