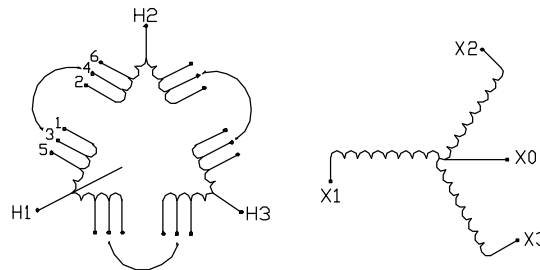


3 PHASE DRIVE ISOLATION TRANSFORMER

TYPE: ANN-SELF COOLED

PRIMARY: H1-H2-H3

VOLTAGE	%TAPS	JUMPERS
483	105	1-2
471	102.5	2-3
460	100	3-4
448	97.5	4-5
437	95	5-6



SECONDARY: X0-X1-X2-X3

VOLTAGE	PHASE	TERMINALS
460	3	X1-X2-X3
266	1	X0-X1
266	1	X0-X2
266	1	X0-X3

SPECIAL FEATURES:

- NC 200°C THERMOSTATS ONE IN CENTRE COIL
- SUITABLE FOR NONSINUSOIDAL CURRENT LOAD WITH A K FACTOR NOT TO EXCEED 4

CAT.NO.:

-REX'S DA440H1P1

-CUSTOMER'S N/A

KVA: 440

PRIMARY: 460 DELTA

TAPS: ±2x2.5%

SECONDARY: 460Y/266

IMPEDANCE: 5.0%

INSULATION CLASS: 220° C

TEMPERATURE RISE: 150° C.

BIL: 10 KV.

FREQUENCY: 60 Hz

WEIGHT: 2500 Lbs

COILS: ALUMINUM WOUND

TERMINATION:

-PRIMARY PADS NO LUGS

-SECONDARY PADS NO LUGS

STANDARDS:

-CSA CERTIFIED

-UL LISTED

CSA ENCLOSURE:

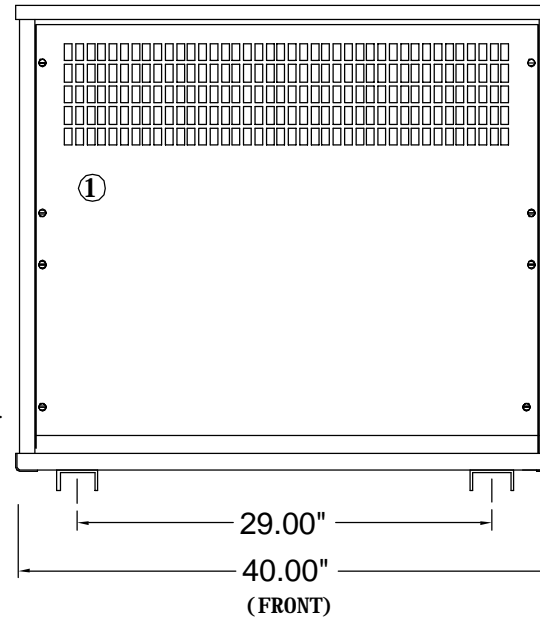
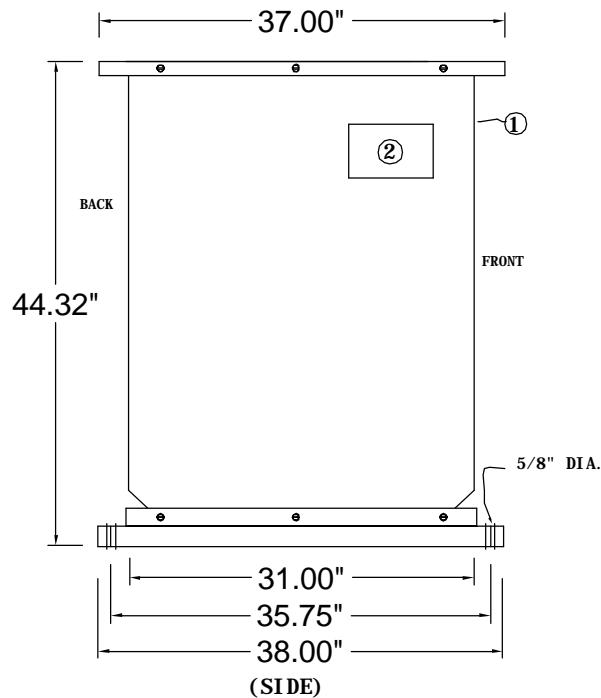
-TYPE 2 (NEMA 2)

-DRIPPROOF

-INDOOR USE

-ASA 61 GREY

-FLOOR MOUNTING



① - REMOVABLE PANELS FOR EASY ACCESS TO TERMINALS

② - NAME PLATE

REV.	REMARKS	BY:	DATE:
REX POWER MAGNETICS <small>DIVISION OF TRANSFACTOR INDUSTRIES INC.</small>			
DRAWN BY: SARKIS	DATE: AUGUST 25, 2004	REV.: 0	
CHECKED BY: VS	DATE: AUGUST 25, 2004	SWO#: 0	
TITLE: TRANSFORMER OUTLINE 3 PHASE, 440 KVA, 460D, 460Y/266, ALUMINUM			
SCALE: N.T.S.	CUSTOMER:	NO: 1-1	