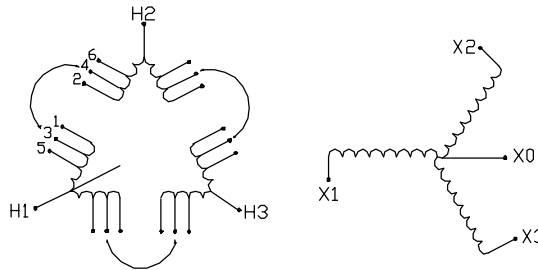


**PRIMARY: H1-H2-H3**

VOLTAGE	%TAPS	JUMPERS
483	105	1-2
471	102.5	2-3
460	100	3-4
448	97.5	4-5
437	95	5-6

**SECONDARY: X0-X1-X2-X3**

VOLTAGE	PHASE	TERMINALS
460	3	X1-X2-X3
266	1	X0-X1
266	1	X0-X2
266	1	X0-X3



**SPECIAL FEATURES:**

- NC 200°C THERMOSTATS ONE IN CENTRE COIL
- SUITABLE FOR NONSINUSOIDAL CURRENT LOAD WITH A K FACTOR NOT TO EXCEED 4

**3 PHASE DRIVE ISOLATION TRANSFORMER**

**TYPE: ANN-SELF COOLED**

CAT.NO.:	DA550H1P1
-REX'S	N/A
-CUSTOMER'S	N/A
KVA:	550
PRIMARY:	460 DELTA
TAPS:	±2x2.5%
SECONDARY:	460Y/266
IMPEDANCE:	4.0%
INSULATION CLASS:	220° C
TEMPERATURE RISE:	150° C.
BIL:	10 KV.
FREQUENCY:	60 Hz
WEIGHT:	3000 Lbs
COILS:	ALUMINUM WOUND

**TERMINATION:**

-PRIMARY	PADS NO LUGS
-SECONDARY	PADS NO LUGS

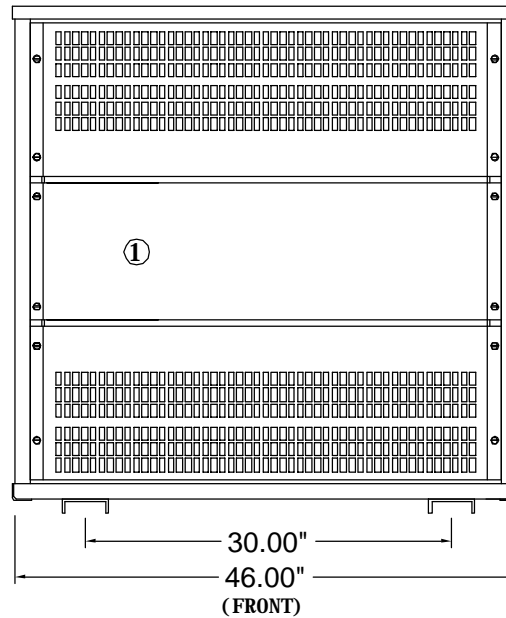
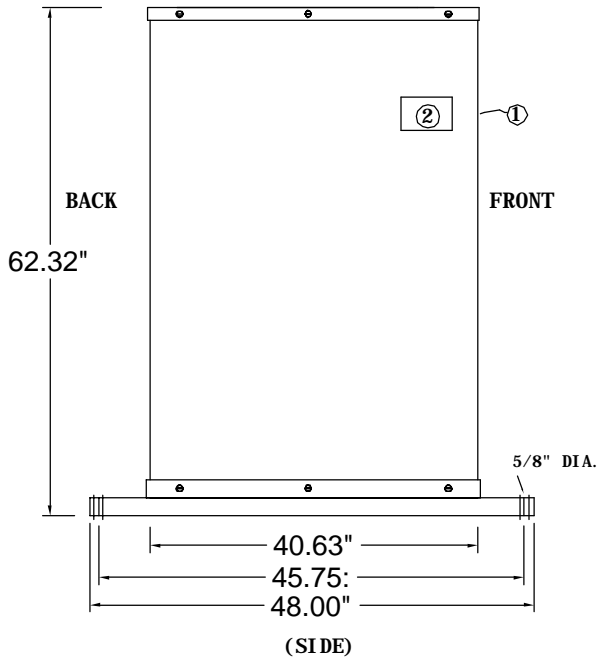
**STANDARDS:**

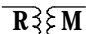
- CSA CERTIFIED
- UL LISTED

**CSA ENCLOSURE:**

- TYPE 2 (NEMA 2)
- DRIPPROOF
- INDOOR USE
- ASA 61 GREY
- FLOOR MOUNTING

- ① - REMOVABLE PANELS FOR EASY ACCESS TO TERMINALS
- ② - NAME PLATE



REV.	REMARKS	BY:	DATE:
 <b>REX POWER MAGNETICS</b> DIVISION OF TRANSFACTOR INDUSTRIES INC.			
DRAWN BY:	SARKIS	DATE:	AUGUST 25, 2004
CHECKED BY:	vs	DATE:	AUGUST 25, 2004
REV.:	0	SWO#:	0
TITLE: <b>TRANSFORMER OUTLINE</b> <b>3 PHASE, 550 kVA, 460D, 460Y/266, ALUMINUM</b>			
SCALE:	N.T.S.	CUSTOMER:	NO: 1-1