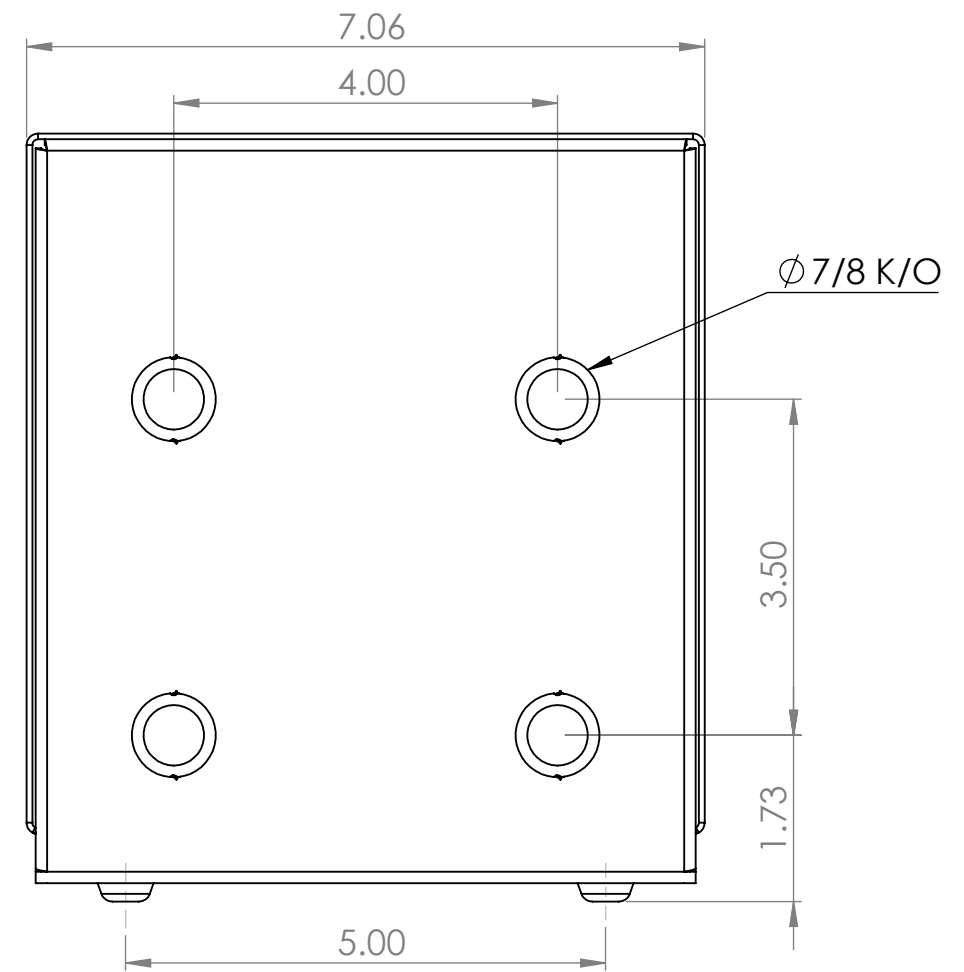
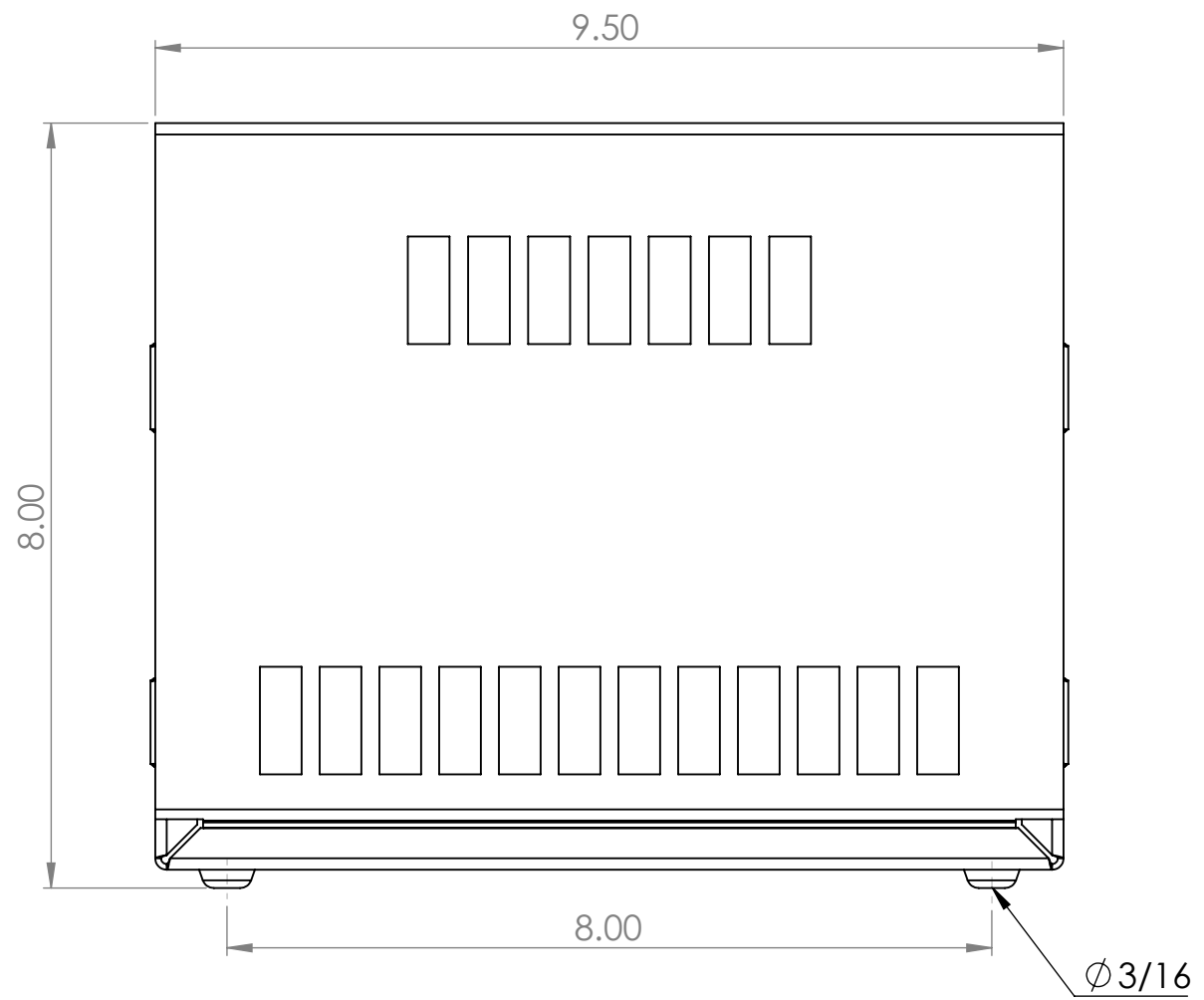


4

3

2

1



- CSA Enclosure: E1-0  
 1. Type 1 (NEMA 1)  
 2. Indoor ventilated  
 3. ASA 61 Grey  
 4. Floor mounting  
 5. Weight: 7 lbs

(Note: NEMA 3R NOT AVAILABLE)

UNLESS OTHERWISE SPECIFIED:		NAME	DATE	TITLE:	
DIMENSIONS ARE IN INCHES .XX = ± 0.05" .XXX = ± 0.030" .XXXX = ± 0.005" FRACTIONS = ± 1/16" ANGLES = ± 1°		DRAWN	WW	3/6/2019	STANDARD ENCLOSURE - NEMA 1 #0 - 8 HOLE
		ENG APPR.	VS	3/6/2019	
		MATERIAL		SIZE	REV
		STEEL		B	1
THE INFORMATION ON THIS DRAWING IS THE PROPERTY OF REX POWER MAGNETICS AND IS NOT TO BE REPRODUCED, USED OR DISCLOSED EXCEPT FOR THE PURPOSE FOR WHICH FURNISHED.		FINISH	ASA 61 GREY	DWG. NO.	E1-0
THIRD-ANGLE PROJECTION		REX POWER MAGNETICS		SCALE: 1:2	WEIGHT:
				SHEET 1 OF 1	

4

3

2

1