

4

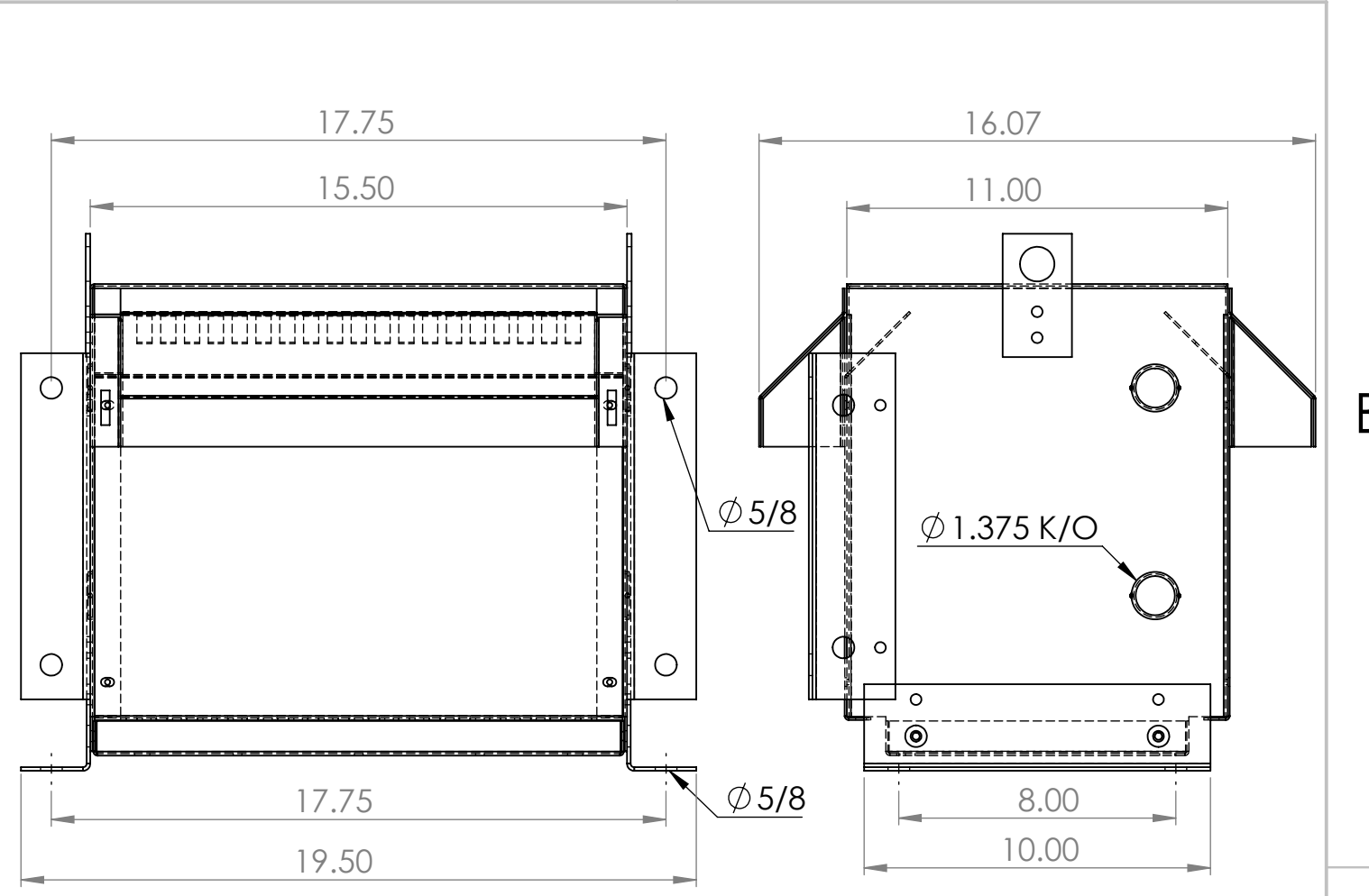
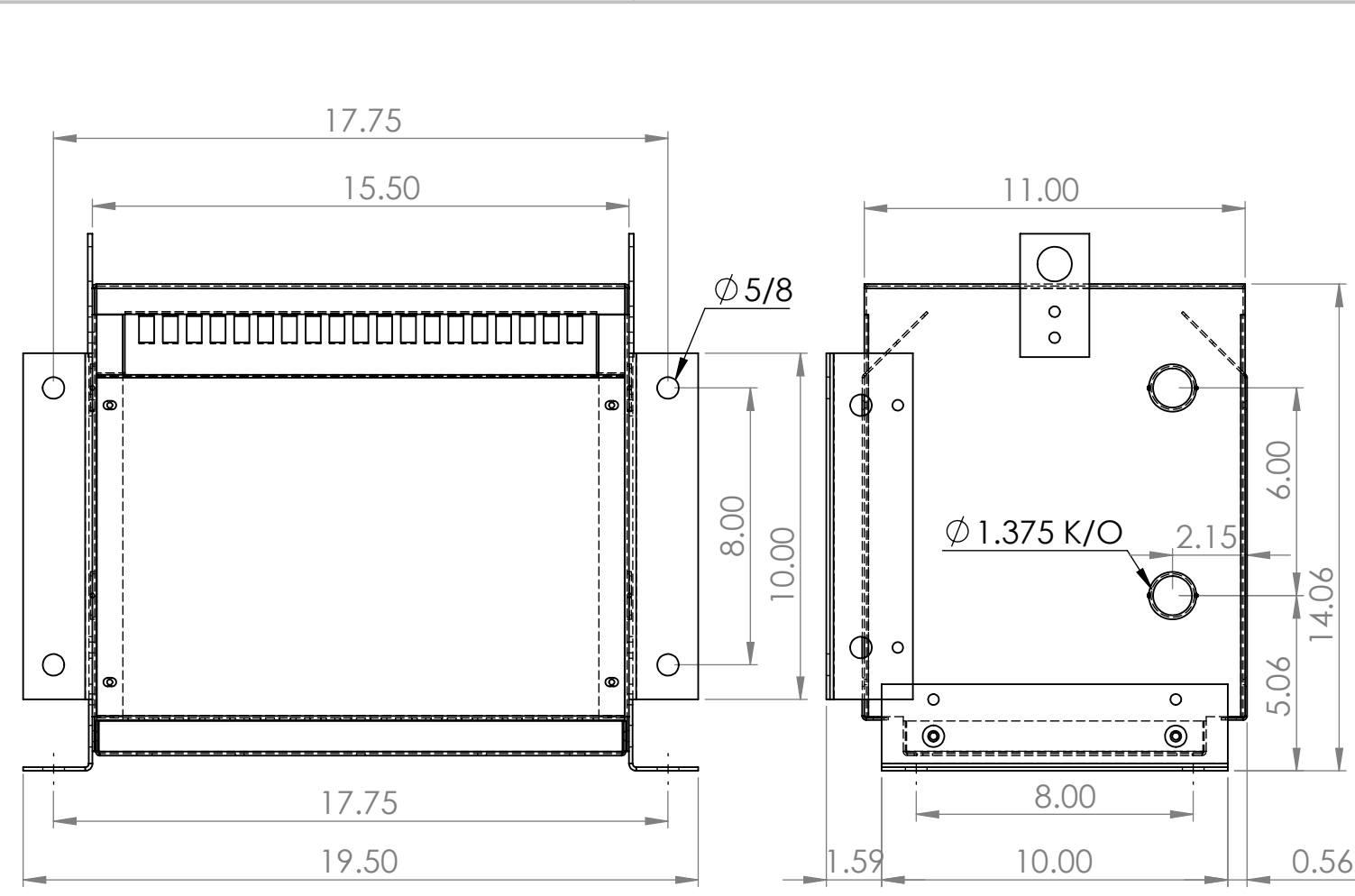
3

2

1

B

B



A

A

CSA Enclosure: E1-3
 1. Type 1 (NEMA 1)
 2. Indoor ventilated
 3. ASA 61 Grey
 4. Floor / Wall mounting
 5. Weight: 24lbs

CSA Enclosure: E3R-3-W
 1. Type 3R (NEMA 3R)
 2. Indoor / Outdoor ventilated
 3. ASA61 Grey
 4. Floor mounting
 5. Weight: 27.5 lbs

UNLESS OTHERWISE SPECIFIED: DIMENSIONS ARE IN INCHES .XX = ± 0.05" .XXX = ± 0.030" .XXXX = ± 0.005" FRACTIONS = ± 1/16" ANGLES = ± 1°	NAME	DATE	TITLE: STANDARD ENCLOSURE - NEMA 1 #3	
	DRAWN	WW		
	ENG APPR.	VS	3/7/2019	SIZE B
	MATERIAL		STEEL	
FINISH		ASA 61 GREY	REV 1	SCALE: 1:5
THIRD-ANGLE PROJECTION		REX POWER MAGNETICS	WEIGHT:	

4

3

2

1