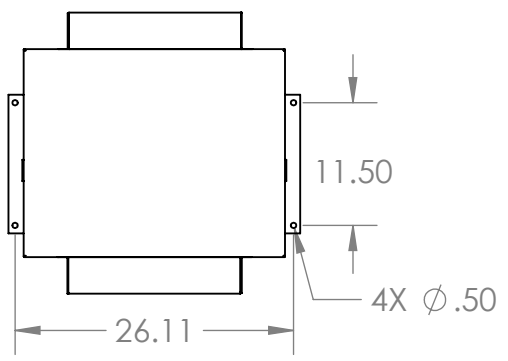
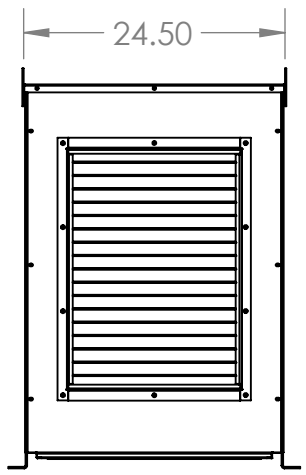


6 5 4 3 2 1

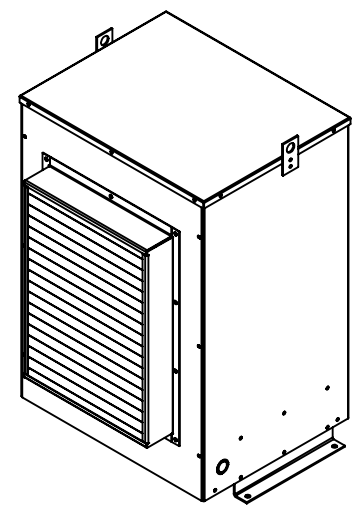
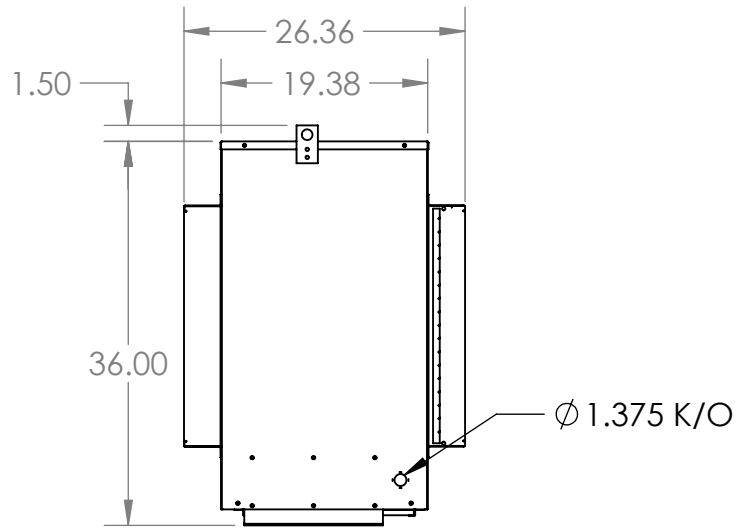
D



C



B



D

C

B

Note:

1. An air space of not less than 150mm (6 inches) is required between transformer enclosures and between a transformer enclosure and any adjacent surface except floor.
2. Please ensure that aluminum mesh filter is installed behind each chevron panel.
3. Adequate ventilation is essential for the proper cooling of transformer.

Those filters should be inspected for dust and cleaned to permit free circulation of air.

- CSA Enclosure: E12-7
1. Type 12 (NEMA 12)
 2. Ventilated
 3. ASA 61 Grey
 4. Floor mounting
 5. Weight: 122.52 Lbs

A

UNLESS OTHERWISE SPECIFIED:
 DIMENSIONS ARE IN INCHES
 .XX = ± 0.05"
 .XXX = ± 0.030"
 .XXXX = ± 0.005"
 FRACTIONS = ± 1/16"
 ANGLES = ± 1°

THE INFORMATION ON THIS DRAWING IS THE PROPERTY OF REX POWER MAGNETICS. IT IS DISCLOSED IN CONFIDENCE AND IS NOT TO BE REPRODUCED, USED OR DISCLOSED EXCEPT FOR THE PURPOSE FOR WHICH FURNISHES.

THIRD-ANGLE PROJECTION

	NAME	DATE
DRAWN	ww	6/21/2019
APPROVED	vs	6/21/2019
MATERIAL	STEEL	
FINISH	ASA 61 GREY	

TITLE: STANDARD ENCLOSURE NEMA 12 #7 ASSEMBLY		
SIZE	DWG. NO.	REV
A	E12-7	1
SCALE: NTS	WEIGHT: 122.52 LBS	SHEET 1 OF 1

A

6 5 4 3 2 1