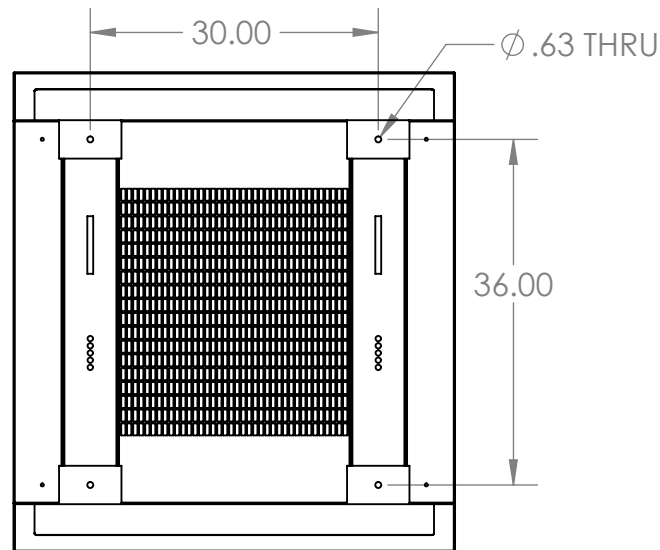
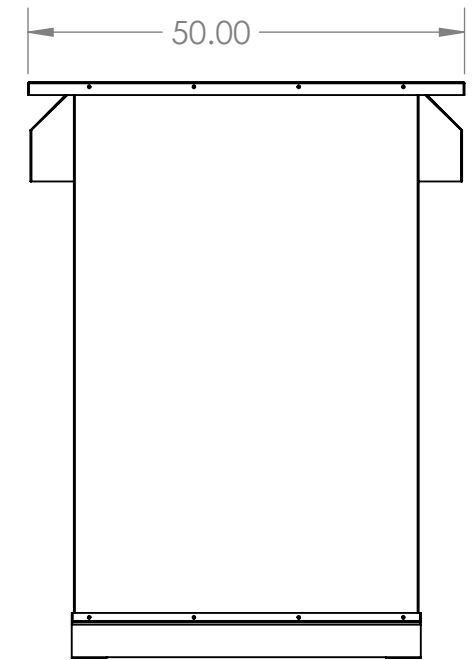
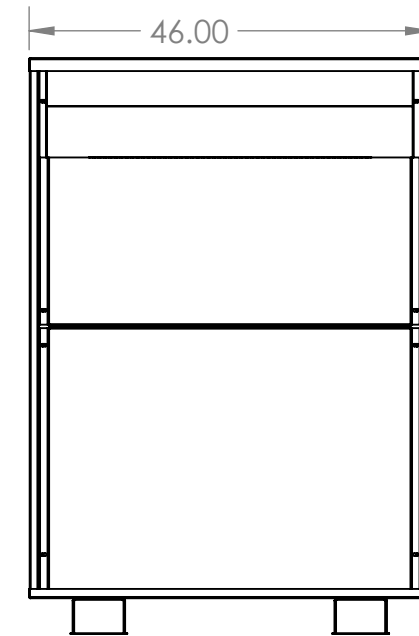
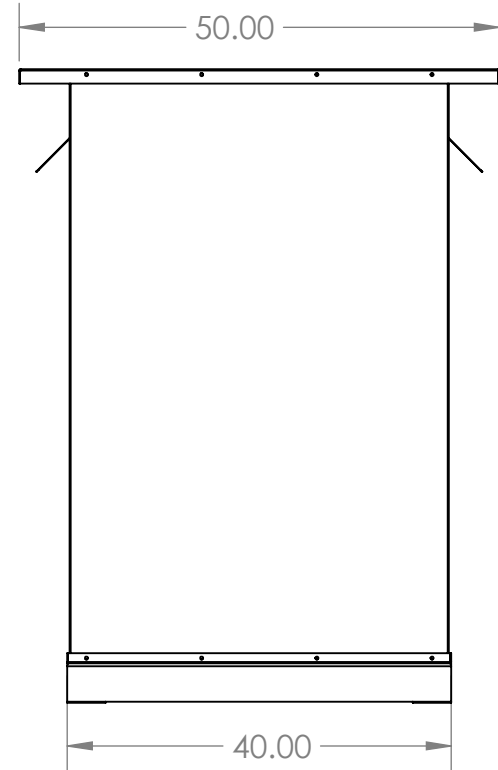
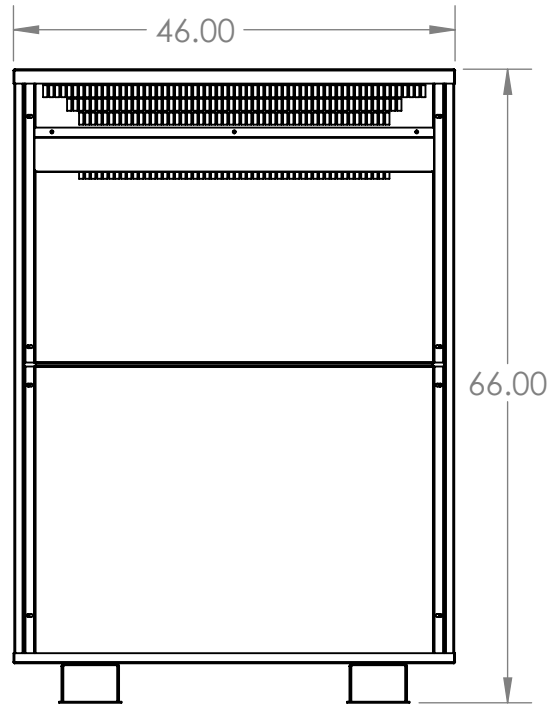


4

3

2

1



CSA ENCLOSURE: E3R-10-W  
 1.Type 3R (NEMA 3R)  
 2.Ventilated  
 3.ASA 61 grey  
 4.Floor mounting  
 5.Weight: 353 lbs

CSA Enclosure: E3R-10  
 1.Type 3R (NEMA 3R)  
 -Sprinklerproof when the angle between sprinkler heads and opening in the enclosure does not exceed 45 degree from the vertical  
 2. Indoor ventilated  
 3. ASA 61 grey  
 4. Floor mounting  
 5. Weight: 338 lbs

UNLESS OTHERWISE SPECIFIED:		NAME	DATE	TITLE:	
DIMENSIONS ARE IN INCHES .XX = ± 0.05" .XXX = ± 0.030" .XXXX = ± 0.005" FRACTIONS = ± 1/16" ANGLES = ± 1°		DRAWN	JB	10/12/2019	ENCLOSURE - NEMA 3R #10
THE INFORMATION ON THIS DRAWING IS THE PROPERTY OF REX POWER MAGNETICS AND IS NOT TO BE REPRODUCED, USED OR DISCLOSED EXCEPT FOR THE PURPOSE FOR WHICH FURNISHES.		ENG APPR.	VS	10/12/2019	
		MATERIAL		SIZE	REV
		STEEL		B	1
		FINISH	ASA 61 GREY	DWG. NO.	
		ASA 61 GREY		E3R-10/E3R-10-W	
THIRD-ANGLE PROJECTION		REX POWER MAGNETICS		SCALE: 1:32	SHEET 3 OF 3

4

3

2

1