

6 5 4 3 2 1

D

C

B

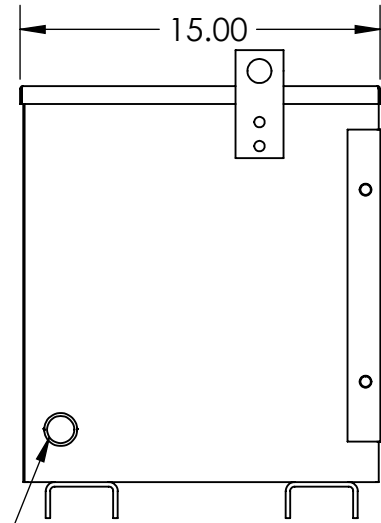
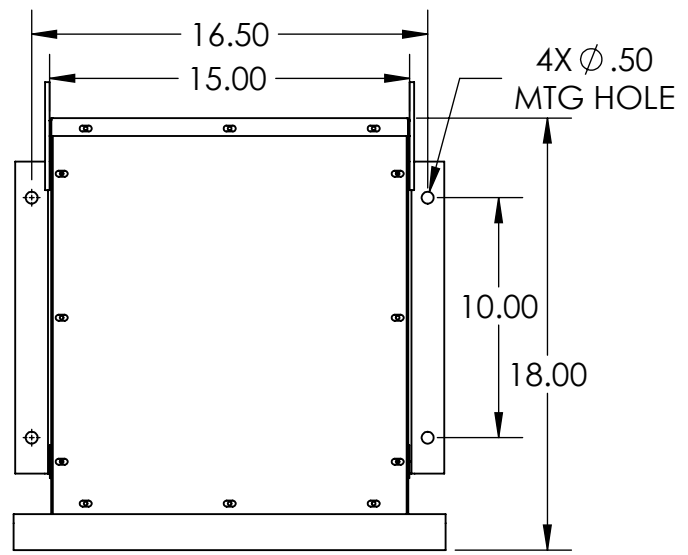
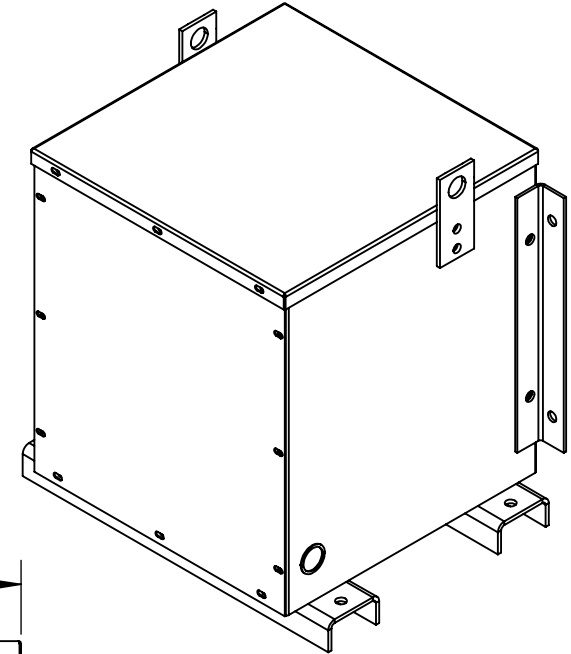
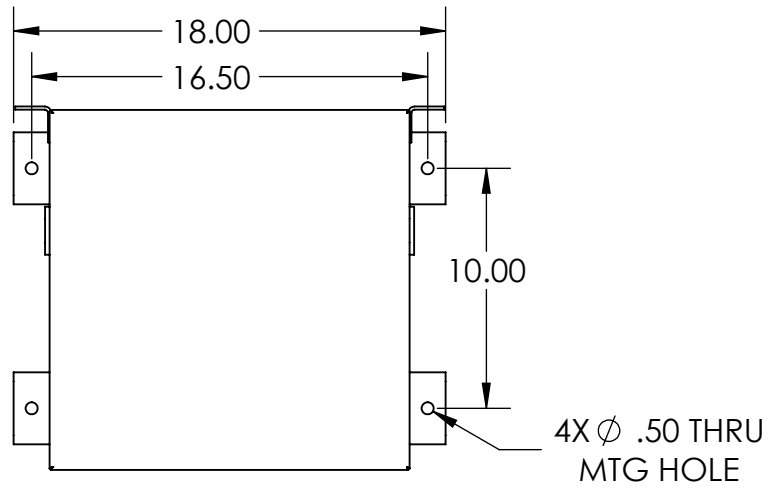
A

D

C

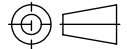


B

A



Ø 1.375 K/O

- CSA Enclosure:
 1. Type 3R (NEMA 3R)
 2. ASA 61 grey
 3. Floor/ Wall mounting
 4. Weight : 43 Lbs

UNLESS OTHERWISE SPECIFIED: DIMENSIONS ARE IN INCHES .XX = ± 0.05" .XXX = ± 0.030" .XXXX = ± 0.005" FRACTIONS = ± 1/16" ANGLES = ± 1°		NAME	DATE	TITLE: ENCAPSULATED ENCLOSURE	
DRAWN	JB	01/11/2021			
APPROVED	VS	01/11/2021			
MATERIAL		STEEL AISI 1020			
FINISH		ASA 61 GREY			
 THIRD-ANGLE PROJECTION		 R3EM		SIZE A	DWG. NO. E3R-1PEP-5
		 REX POWER MAGNETICS		REV 1	
		SCALE: NTS		WEIGHT: 43.29 LBS	SHEET 1 OF 1

6 5 4 3 2 1