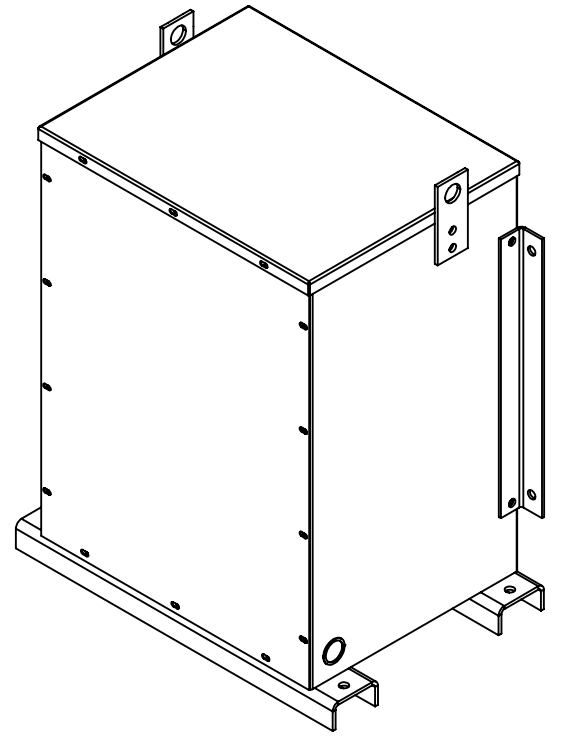
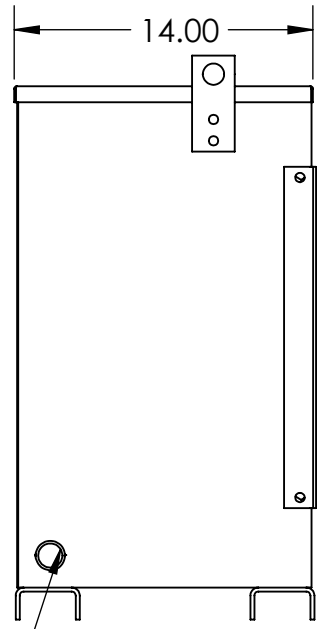
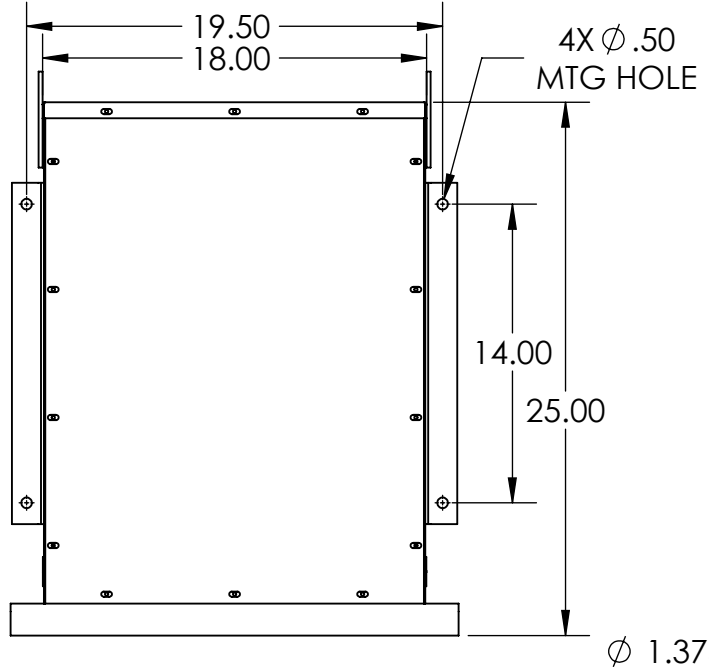
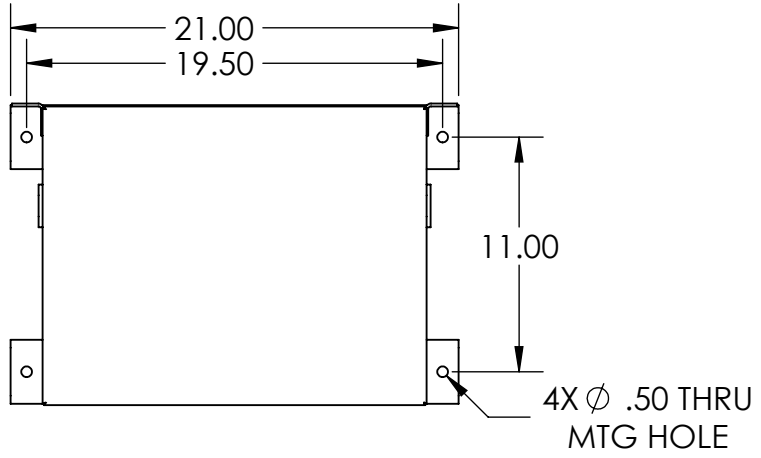


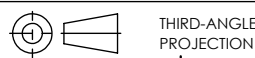
6 5 4 3 2 1



- CSA Enclosure:  
 1. Type 3R (NEMA 3R)  
 2. ASA 61 grey  
 3. Floor/ Wall mounting  
 4. Weight : 57 Lbs

UNLESS OTHERWISE SPECIFIED:  
 DIMENSIONS ARE IN INCHES  
 .XX = ± 0.05"  
 .XXX = ± 0.030"  
 .XXXX = ± 0.005"  
 FRACTIONS = ± 1/16"  
 ANGLES = ± 1°

THE INFORMATION ON THIS DRAWING IS  
 THE PROPERTY OF REX POWER MAGNETICS.  
 IS DISCLOSED IN CONFIDENCE  
 AND IS NOT TO BE REPRODUCED, USED OR  
 DISCLOSED EXCEPT FOR THE PURPOSE FOR  
 WHICH FURNISHES.



	NAME	DATE
DRAWN	JB	01/11/2021
APPROVED	VS	01/11/2021
MATERIAL	STEEL	
FINISH	ASA 61 GREY	
<b>REX EM</b>		
<b>REX POWER MAGNETICS</b>		

TITLE: <b>ENCAPSULATED ENCLOSURE</b>		
SIZE <b>A</b>	DWG. NO. E3R-1PEP-6	REV <b>1</b>
SCALE: NTS	WEIGHT: 56.59 LBS	SHEET 1 OF 1

6 5 4 3 2 1