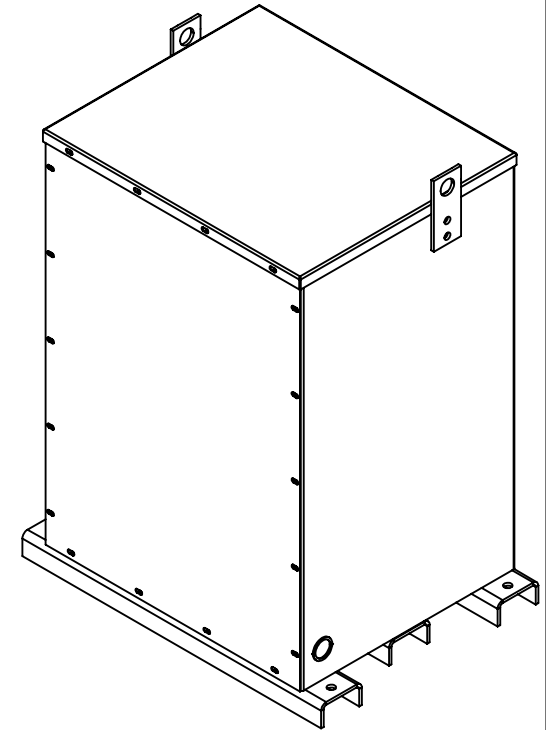
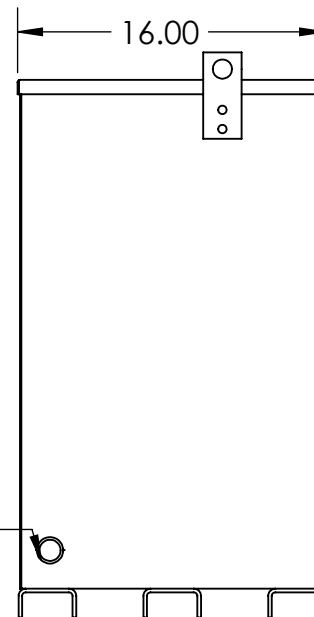
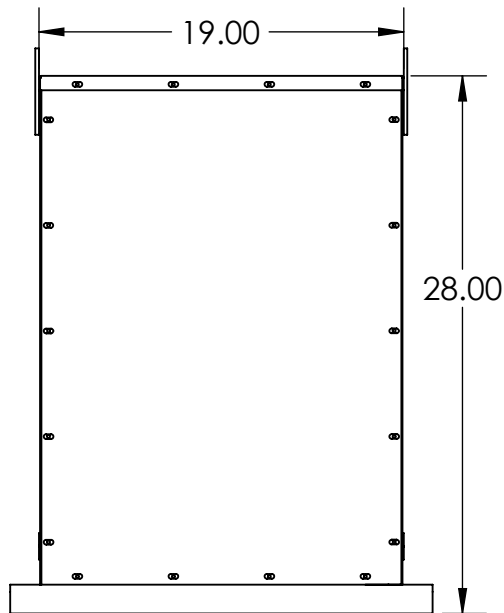
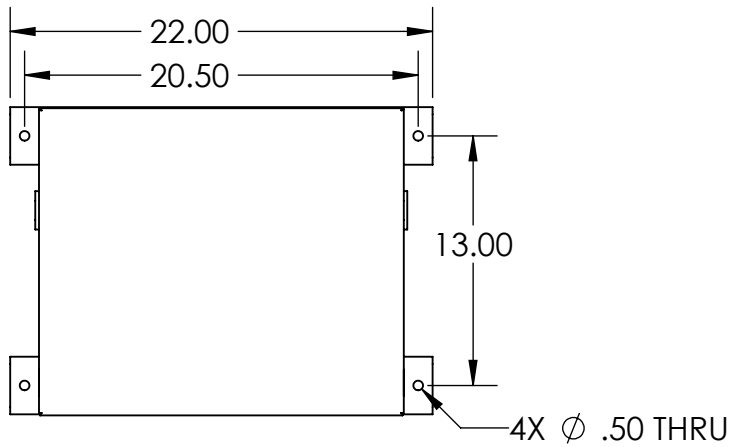


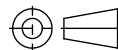
6 5 4 3 2 1



- CSA Enclosure:
 1. Type 3R (NEMA 3R)
 2. ASA 61 grey
 3. Floor mounting
 4. Weight : 68 Lbs

UNLESS OTHERWISE SPECIFIED:
 DIMENSIONS ARE IN INCHES
 .XX = ± 0.05"
 .XXX = ± 0.030"
 .XXXX = ± 0.005"
 FRACTIONS = ± 1/16"
 ANGLES = ± 1°

THE INFORMATION ON THIS DRAWING IS
 THE PROPERTY OF REX POWER MAGNETICS.
 IS DISCLOSED IN CONFIDENCE
 AND IS NOT TO BE REPRODUCED, USED OR
 DISCLOSED EXCEPT FOR THE PURPOSE FOR
 WHICH FURNISHES.



THIRD-ANGLE
 PROJECTION

	NAME	DATE
DRAWN	JB	01/11/2021
APPROVED	VS	01/11/2021
MATERIAL	STEEL	

FINISH ASA 61 GREY



REX POWER MAGNETICS

TITLE: ENCAPSULATED ENCLOSURE		
SIZE A	DWG. NO. E3R-1PEP-7	REV 1

SCALE: NTS	WEIGHT: 68.32 LBS	SHEET 1 OF 1
------------	-------------------	--------------

6 5 4 3 2 1