

6 5 4 3 2 1

D

C

B

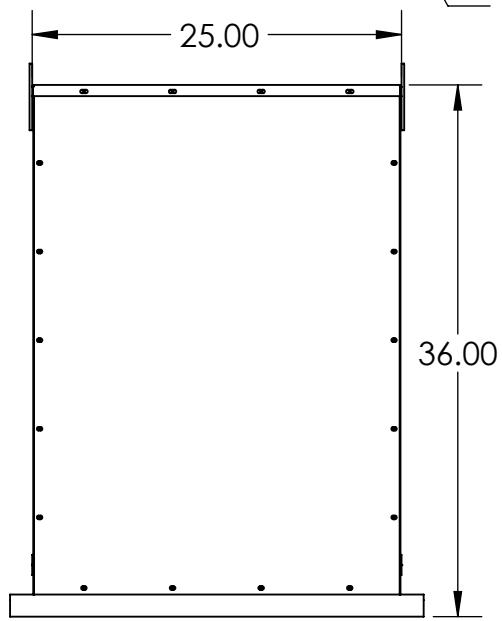
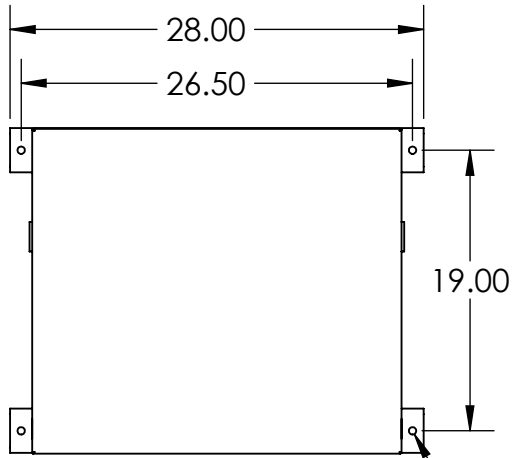
A

D

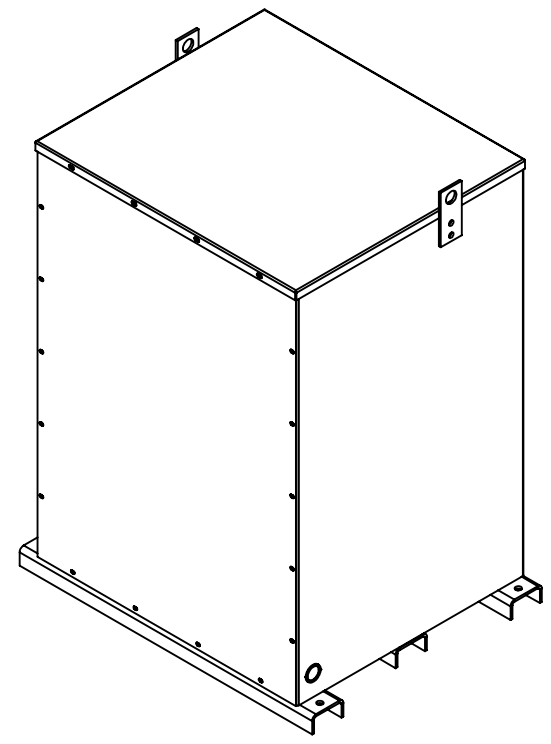
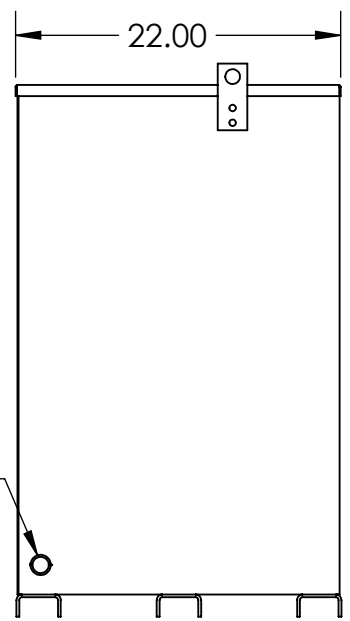
C

B

A



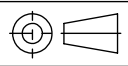
4X Ø .50 THRU  
MTG HOLE



CSA Enclosure:  
 1. Type 3R (NEMA 3R)  
 2. ASA 61 grey  
 3. Floor mounting  
 4. Weight : 110 Lbs

UNLESS OTHERWISE SPECIFIED:  
 DIMENSIONS ARE IN INCHES  
 .XX = ± 0.05"  
 .XXX = ± 0.030"  
 .XXXX = ± 0.005"  
 FRACTIONS = ± 1/16"  
 ANGLES = ± 1°

THE INFORMATION ON THIS DRAWING IS  
 THE PROPERTY OF REX POWER MAGNETICS.  
 IS DISCLOSED IN CONFIDENCE  
 AND IS NOT TO BE REPRODUCED, USED OR  
 DISCLOSED EXCEPT FOR THE PURPOSE FOR  
 WHICH FURNISHES.



THIRD-ANGLE  
PROJECTION

	NAME	DATE
DRAWN	WW	01/11/2021
APPROVED	VS	01/11/2021
MATERIAL	STEEL	

FINISH ASA 61 GREY

**REX POWER MAGNETICS**

TITLE: <b>ENCAPSULATED ENCLOSURE</b>		
SIZE	DWG. NO.	REV
<b>A</b>	E3R-1PEP-9	<b>1</b>

SCALE: NTS	WEIGHT: 110.23 LBS	SHEET 1 OF 1
------------	--------------------	--------------

6 5 4 3 2 1