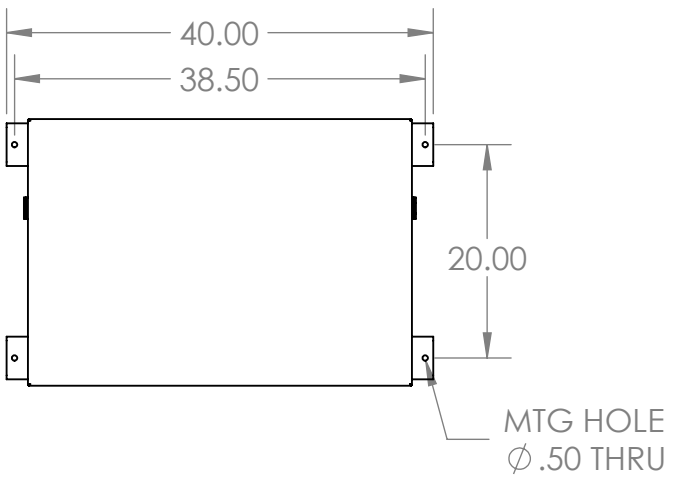
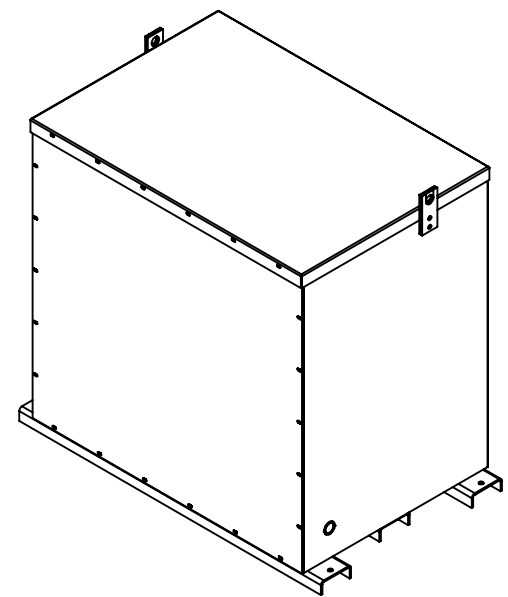


6 5 4 3 2 1

D

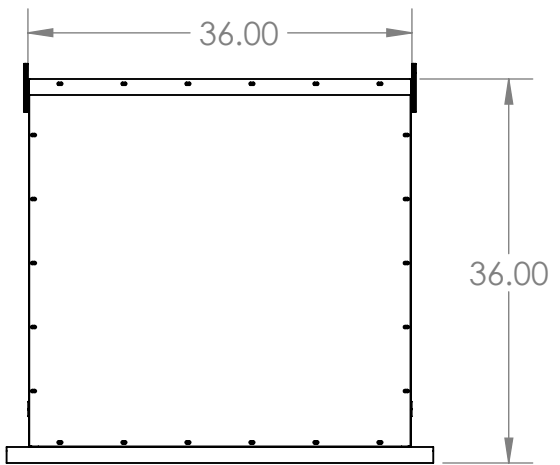


C

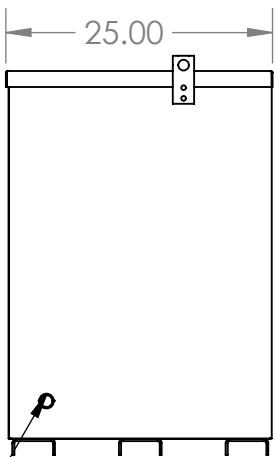


D

B



B



Ø 1.375 K/O

A

- CSA Enclosure:
1. Type 3R (NEMA 3)
 2. ASA 61 grey
 3. Floor mounting
 4. Weight : 167 Lbs

A

UNLESS OTHERWISE SPECIFIED: DIMENSIONS ARE IN INCHES .XX = ± 0.05" .XXX = ± 0.030" .XXXX = ± 0.005" FRACTIONS = ± 1/16" ANGLES = ± 1°	NAME	DATE	TITLE: <h2 style="text-align: center;">ENCAPSULATED ENCLOSURE</h2>			
	DRAWN	WW				04/11/2019
	APPROVED	VS	04/11/2019	SIZE	DWG. NO.	REV
	MATERIAL	STEEL		A	E3R-3PEP-9	2
THE INFORMATION ON THIS DRAWING IS THE PROPERTY OF REX POWER MAGNETICS. IS DISCLOSED IN CONFIDENCE AND IS NOT TO BE REPRODUCED, USED OR DISCLOSED EXCEPT FOR THE PURPOSE FOR WHICH FURNISHES.	FINISH	ASA 61 GREY			SCALE: 1:1	
THIRD-ANGLE PROJECTION			WEIGHT: 166.54 LBS	SHEET 1 OF 1		

6 5 4 3 2 1