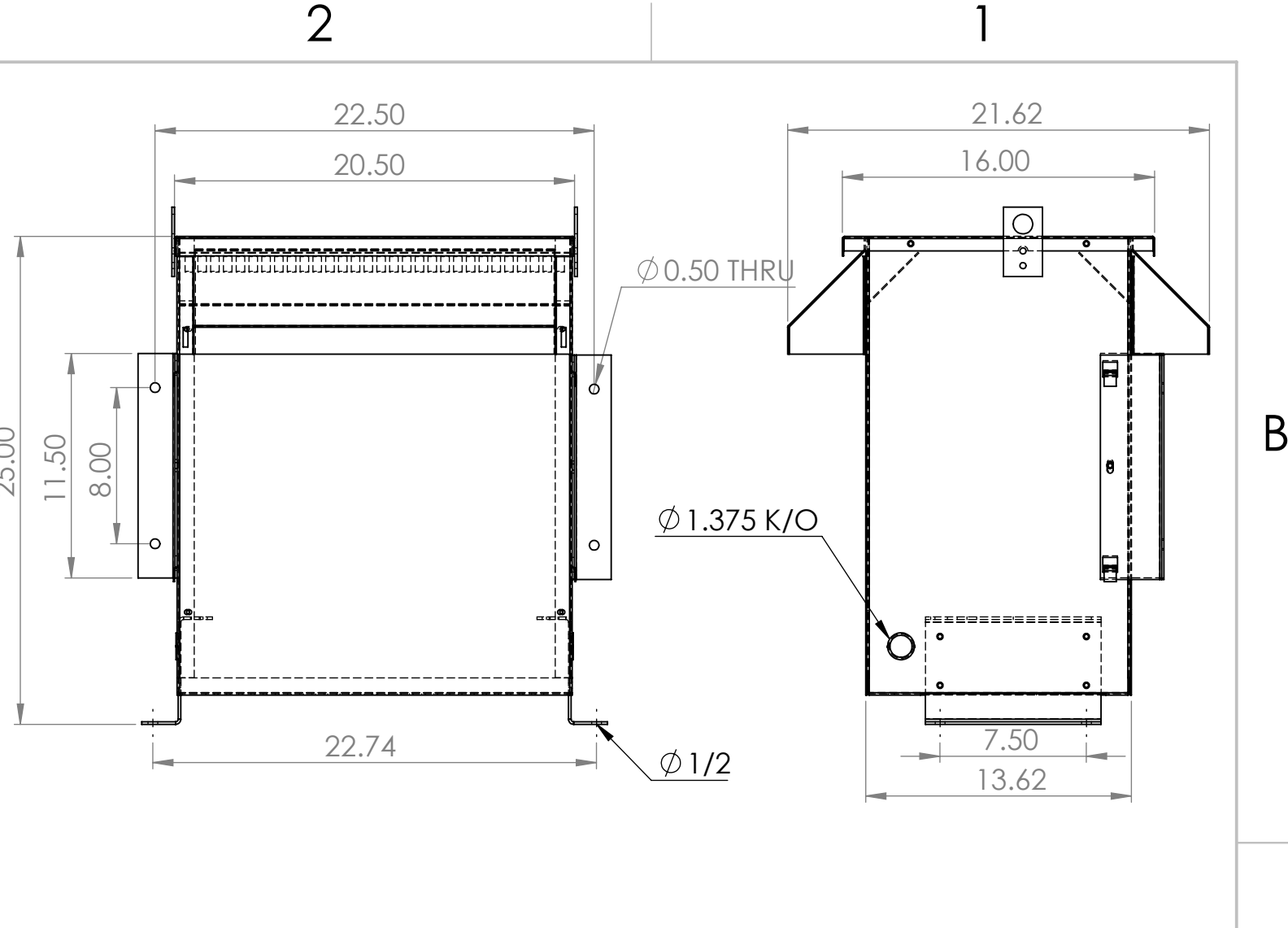


CSA Enclosure: E3R-5
 1. Type 3R (NEMA 3R)
 -Sprinklerproof when the angle between sprinkler heads and opening in the enclosure does not exceed 45 degree from the vertical
 2. Indoor ventilated
 3. ASA 61 Grey
 4. Floor/Wall mounting
 5. Weight: 48 lbs



CSA Enclosure: E3R-5-W
 1. Type 3R (NEMA 3R)
 2. Ventilated
 3. ASA 61 Grey
 4. Floor mounting
 5. Weight: 54 lbs

UNLESS OTHERWISE SPECIFIED:		NAME	DATE	TITLE:	
DIMENSIONS ARE IN INCHES .XX = ± 0.05" .XXX = ± 0.030" .XXXX = ± 0.005" FRACTIONS = ± 1/16" ANGLES = ± 1°		DRAWN	WW	3/6/2019	STANDARD ENCLOSURE - NEMA 3R #5
THE INFORMATION ON THIS DRAWING IS THE PROPERTY OF REX POWER MAGNETICS AND IS NOT TO BE REPRODUCED, USED OR DISCLOSED EXCEPT FOR THE PURPOSE FOR WHICH FURNISHED.		ENG APPR.	VS	3/6/2019	
THIRD-ANGLE PROJECTION		MATERIAL		SIZE	REV
REX POWER MAGNETICS		FINISH		B	1
		ASA 61 GREY		DWG. NO.	E3R-5/E3R-5-W
		SCALE: 1:8		WEIGHT:	SHEET 1 OF 1