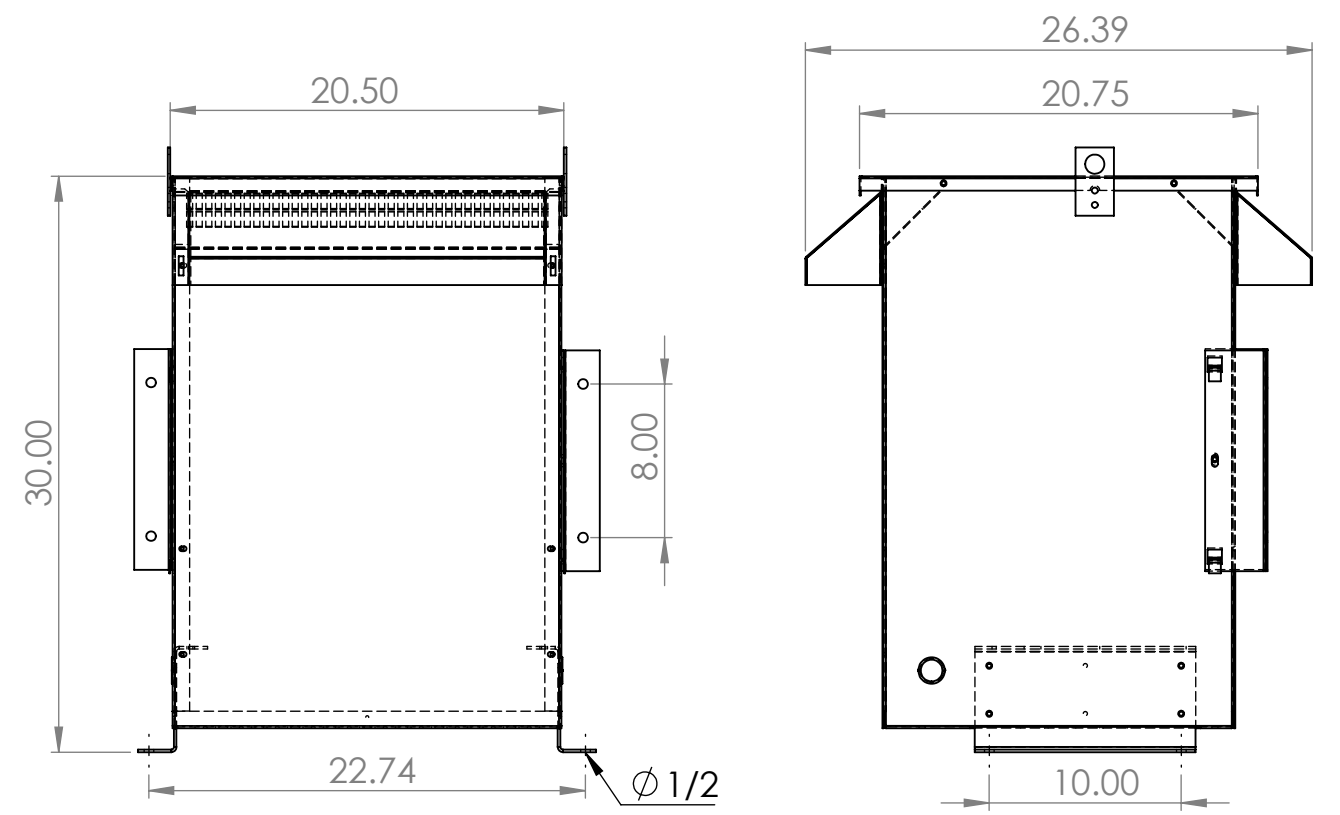


CSA Enclosure: E3R-6
 1. Type 3R (NEMA 3R)
 -Sprinklerproof when the angle between sprinkler heads and opening in the enclosure does not exceed 45 degree from the vertical
 2. Indoor ventilated
 3. ASA 61 Grey
 4. Floor/Wall mounting
 5. Weight: 63.5 lbs



CSA Enclosure: E3R-6-W
 1. Type 3R (NEMA 3R)
 2. Ventilated
 3. ASA 61Grey
 4. Floor mounting
 5. Weight : 69.5 lbs

CSA Enclosure: E3R-6-W
 1. Type 3R (NEMA 3R)
 2. Indoor ventilated
 3. ASA 61 Grey
 4. Floor/Wall mounting
 5. Weight: 69.5 lbs

UNLESS OTHERWISE SPECIFIED:		NAME	DATE	TITLE:	
DIMENSIONS ARE IN INCHES .XX = ± 0.05" .XXX = ± 0.030" .XXXX = ± 0.005" FRACTIONS = ± 1/16" ANGLES = ± 1°		DRAWN	WW	3/7/2019	STANDARD ENCLOSURE - NEMA 3R #6
		ENG APPR.	VS	3/7/2019	
		MATERIAL		STEEL	
THE INFORMATION ON THIS DRAWING IS THE PROPERTY OF REX POWER MAGNETICS AND IS NOT TO BE REPRODUCED, USED OR DISCLOSED EXCEPT FOR THE PURPOSE FOR WHICH FURNISHED.		FINISH	ASA 61 GREY		SIZE
		THIRD-ANGLE PROJECTION		REX POWER MAGNETICS	SIZE B
				DWG. NO.	REV
				E3R-6/E3R-6-W	1
				SCALE: 1:10	WEIGHT:
				SHEET 1 OF 1	