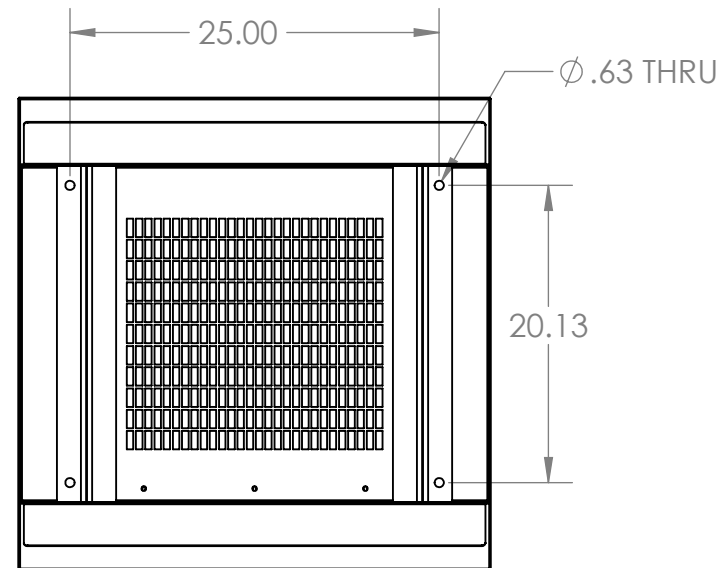
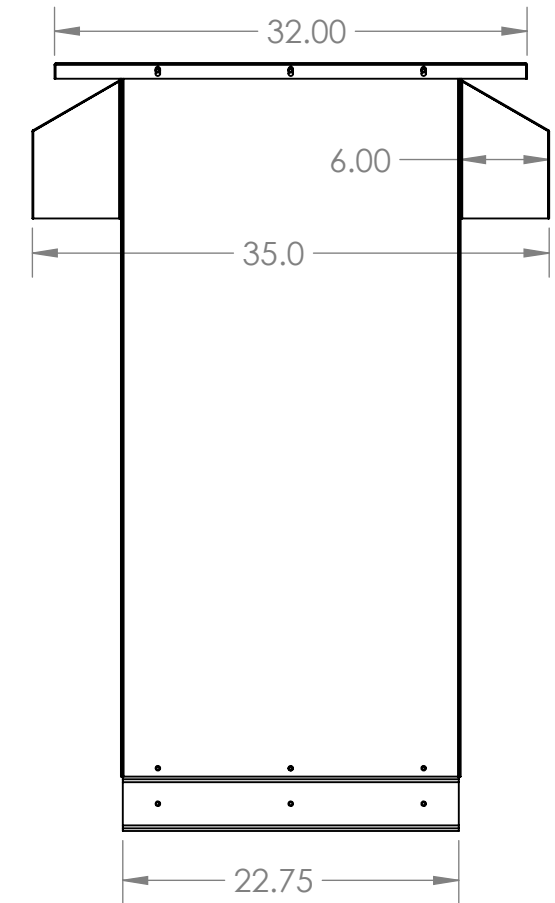
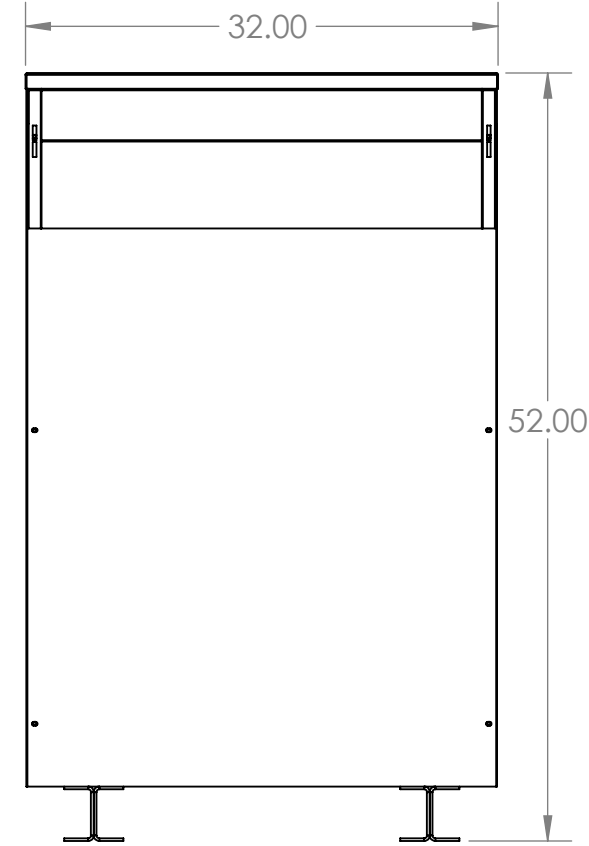
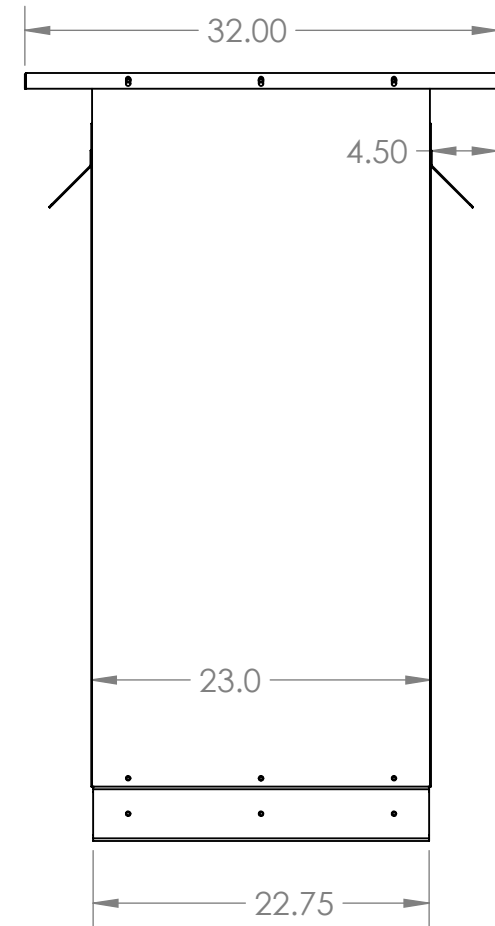
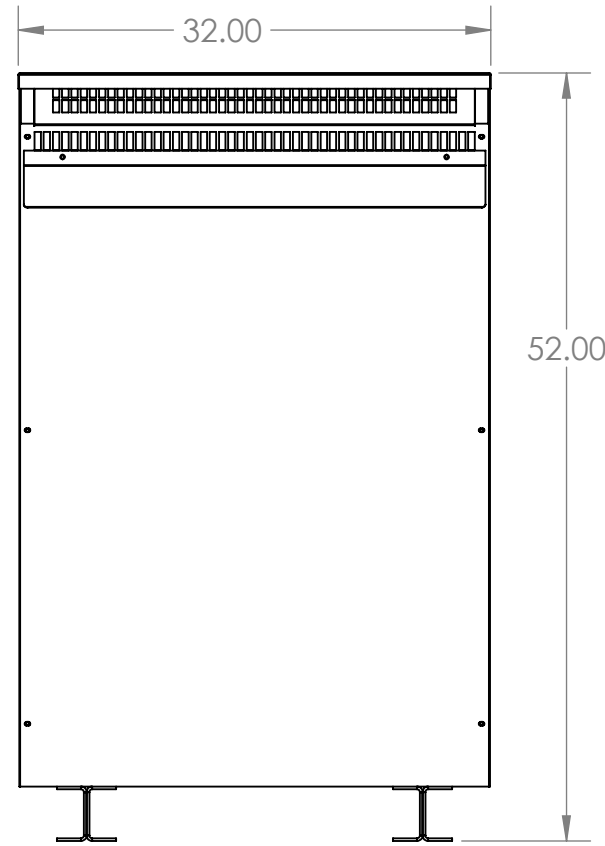


4

3

2

1



CSA Enclosure: E3R-9S-W
 1.Type 3R (NEMA 3R)
 2. Indoor/Outdoor ventilated
 3. ASA 61 Grey
 4. Floor mounting
 5. Weight: 166 lbs

CSA Enclosure: E3R-9S
 1.Type 3R (NEMA 3R)
 - Sprinklerproof when the angle between sprinkler heads and opening in the enclosure does not exceed 45 degree from the vertical
 2. Indoor ventilated
 3. ASA 61 Grey
 4. Floor mounting
 5. Weight: 158 lbs

UNLESS OTHERWISE SPECIFIED:		NAME	DATE	TITLE:	
DIMENSIONS ARE IN INCHES .XX = ± 0.05" .XXX = ± 0.030" .XXXX = ± 0.005" FRACTIONS = ± 1/16" ANGLES = ± 1°		DRAWN	JB	7/2/2020	ENCLOSURE - NEMA 3R #9S
THE INFORMATION ON THIS DRAWING IS THE PROPERTY OF REX POWER MAGNETICS AND IS NOT TO BE REPRODUCED, USED OR DISCLOSED EXCEPT FOR THE PURPOSE FOR WHICH FURNISHED.		ENG APPR.	VS	7/2/2020	
THIRD-ANGLE PROJECTION		MFG APPR.			
MATERIAL		STEEL			SIZE B
FINISH		ASA 61 GREY			
REX POWER MAGNETICS		DWG. NO.		REV	
		E3R-9S/E3R-9S-W		1	
SCALE: 1:13		WEIGHT:		SHEET 1 OF 1	

4

3

2

1