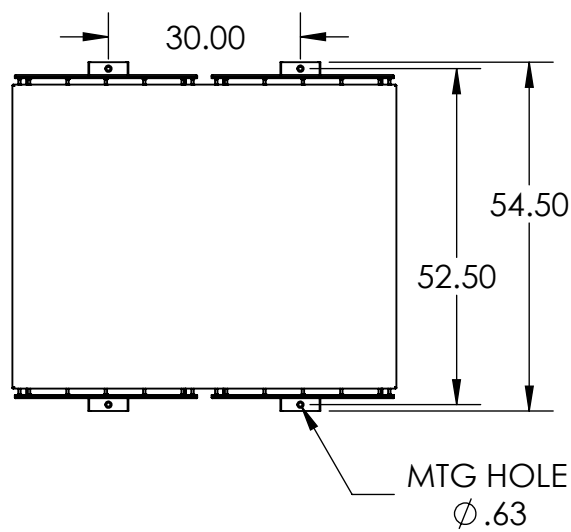
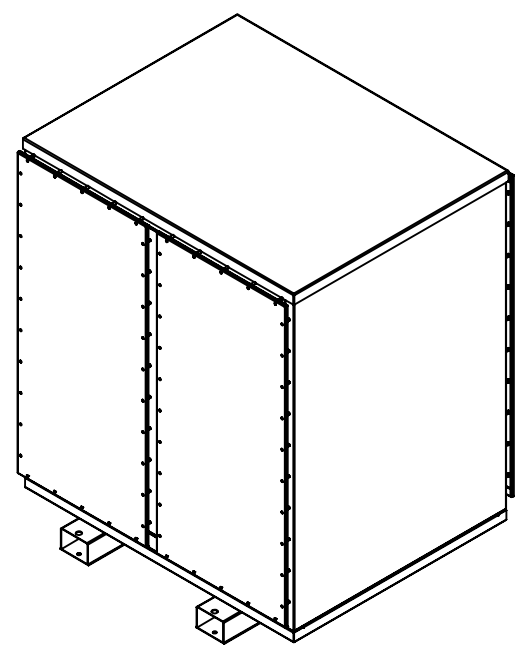


6 5 4 3 2 1

D

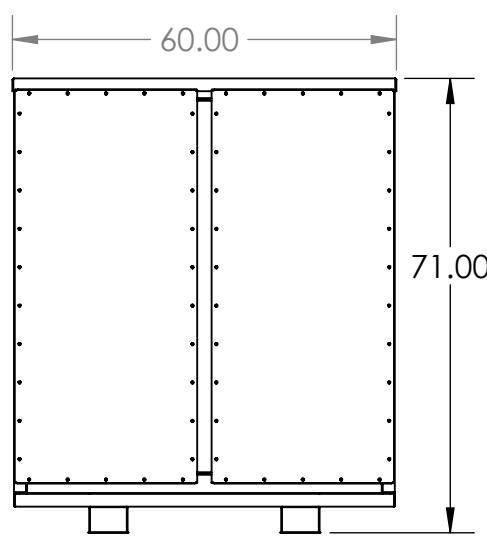


C



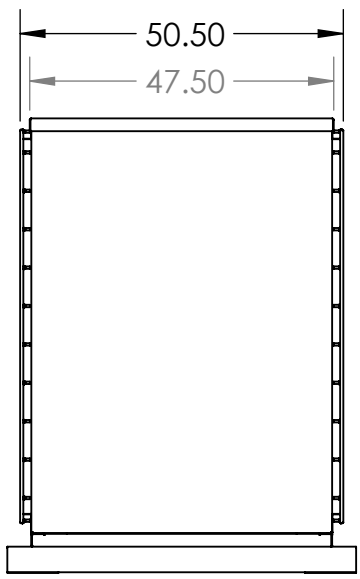
D

B



C

B



A

- CSA Enclosure:
1. Type 4( NEMA 4)
  2. Totally enclosed for indoor/outdoor use
  3. ASA 61 grey
  4. Floor mounting
  5. Weight : 615 Lbs

UNLESS OTHERWISE SPECIFIED: DIMENSIONS ARE IN INCHES .XX = ± 0.05" .XXX = ± 0.030" .XXXX = ± 0.005" FRACTIONS = ± 1/16" ANGLES = ± 1°		NAME	DATE	TITLE:	
DRAWN	WW	27/08/2019	STANDARD ENCLOSURE- NEMA4 #11 ASSEMBLY		
APPROVED	VS	27/08/2019	SIZE		
MATERIAL		STEEL	DWG. NO.		REV
FINISH		ASA 61 GREY	E4-11		6
THIRD-ANGLE PROJECTION		REX POWER MAGNETICS		SCALE: NTS	WEIGHT: 615.90 Lbs
				SHEET 1 OF 1	

A

6 5 4 3 2 1