

6 5 4 3 2 1

D

C

B

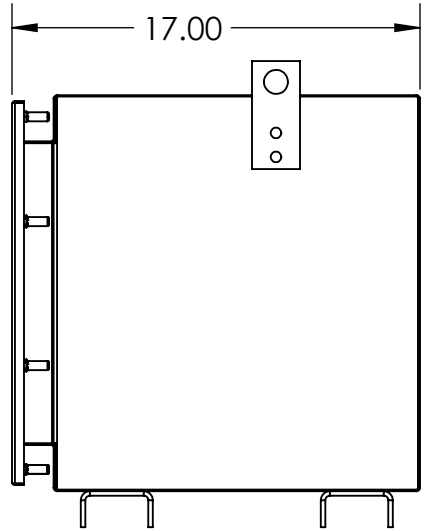
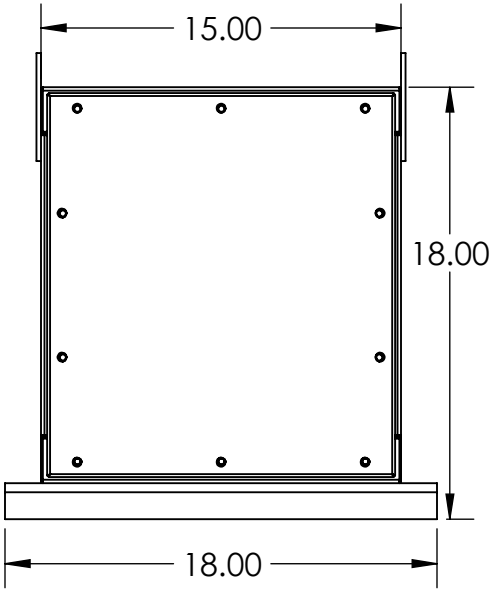
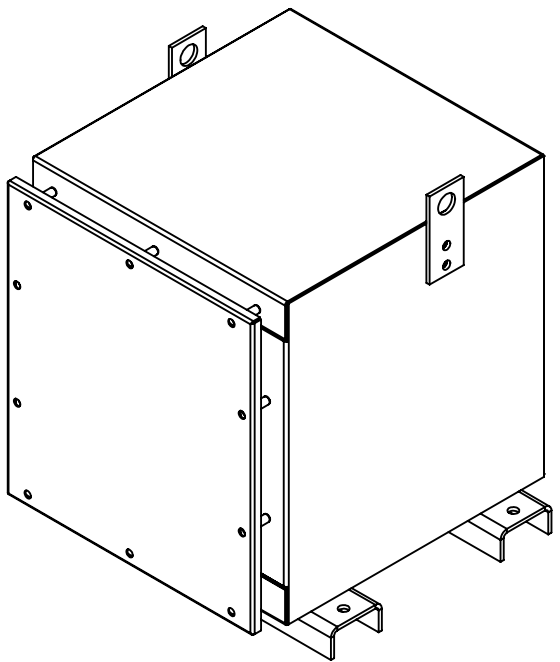
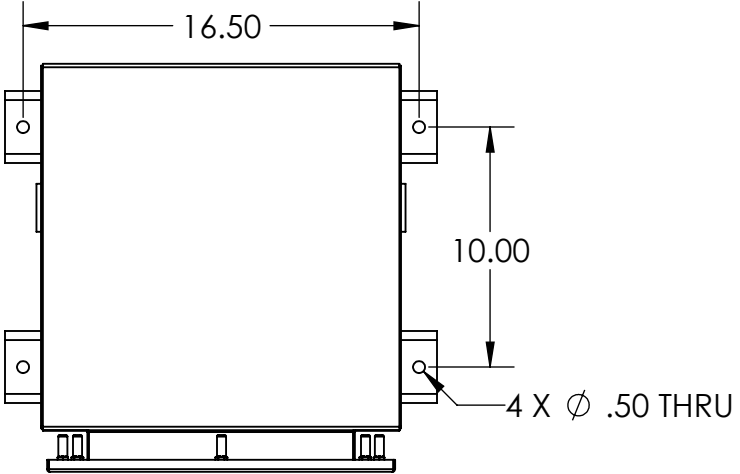
A

D

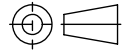

C

B

A



- CSA Enclosure:
1. Type 4 (NEMA 4)
 2. Totally enclosed for indoor/outdoor use
 3. ASA 61 grey
 4. Floor mounting
 5. Weight : 47 Lbs

<p>UNLESS OTHERWISE SPECIFIED: DIMENSIONS ARE IN INCHES .XX = ± 0.05" .XXX = ± 0.030" .XXXX = ± 0.005" FRACTIONS = ± 1/16" ANGLES = ± 1°</p> <p>THE INFORMATION ON THIS DRAWING IS THE PROPERTY OF REX POWER MAGNETICS. IS DISCLOSED IN CONFIDENCE AND IS NOT TO BE REPRODUCED, USED OR DISCLOSED EXCEPT FOR THE PURPOSE FOR WHICH FURNISHES.</p> <p> THIRD-ANGLE PROJECTION</p>	NAME	DATE	TITLE: ENCAPSULATED ENCLOSURE			
	DRAWN	JB				01/11/2021
	APPROVED	VS	01/11/2021	SIZE	DWG. NO.	REV
	MATERIAL	STEEL		A	E4-1PEP-5	1
FINISH	ASA 61 GRAY		SCALE: NTS WEIGHT: 46.51 LBS SHEET 1 OF 1			
						

6 5 4 3 2 1