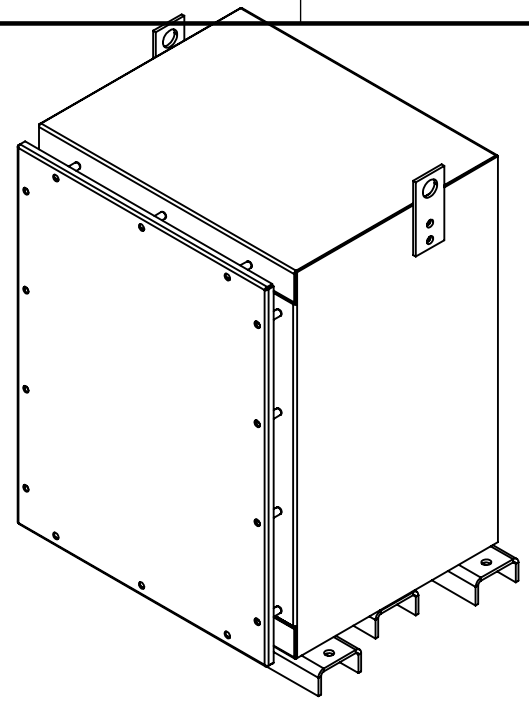
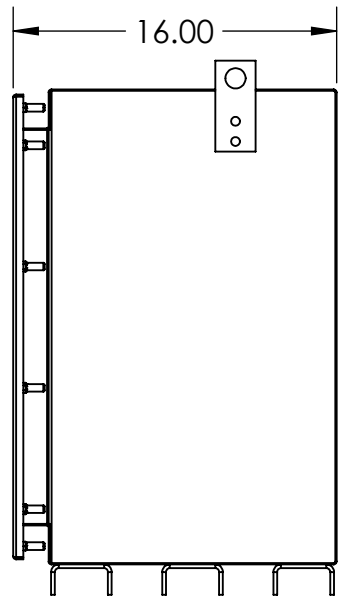
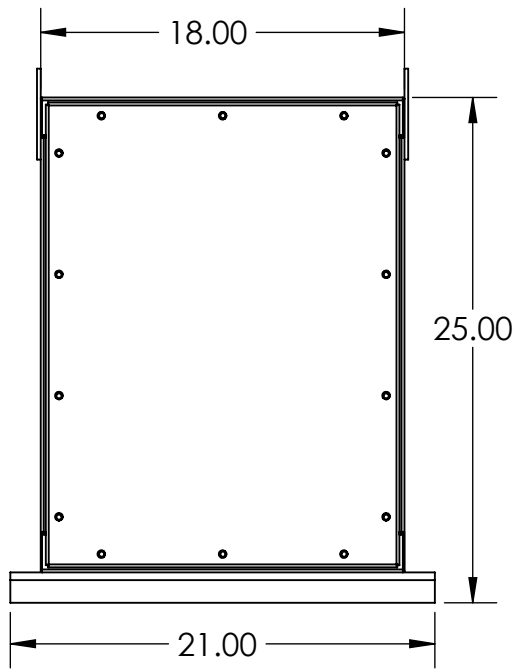
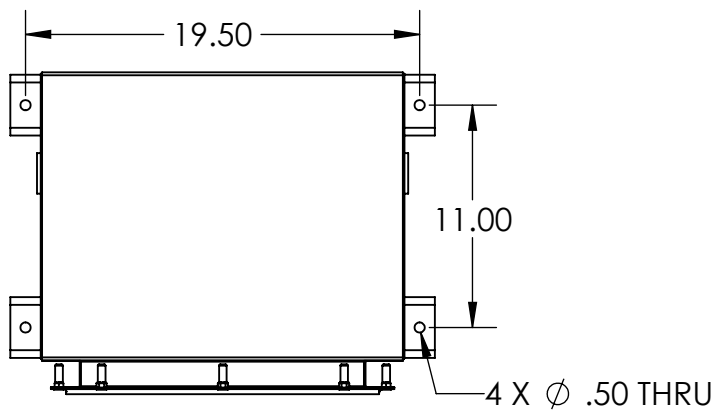


6 5 4 3 2 1



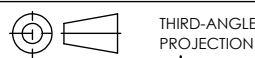
D
C
B
A

D
C
B
A

- CSA Enclosure:
1. Type 4 (NEMA 4)
 2. Totally enclosed for indoor/outdoor use
 3. ASA 61 grey
 4. Floor mounting
 5. Weight : 68 Lbs

UNLESS OTHERWISE SPECIFIED:
 DIMENSIONS ARE IN INCHES
 .XX = ± 0.05"
 .XXX = ± 0.030"
 .XXXX = ± 0.005"
 FRACTIONS = ± 1/16"
 ANGLES = ± 1°

THE INFORMATION ON THIS DRAWING IS THE PROPERTY OF REX POWER MAGNETICS. IS DISCLOSED IN CONFIDENCE AND IS NOT TO BE REPRODUCED, USED OR DISCLOSED EXCEPT FOR THE PURPOSE FOR WHICH FURNISHES.



	NAME	DATE
DRAWN	JB	01/11/2021
APPROVED		
MATERIAL	STEEL	
FINISH	ASA 61 GRAY	
REX		
REX POWER MAGNETICS		

TITLE: ENCAPSULATED ENCLOSURE		
SIZE A	DWG. NO. E4-1PEP-6	REV 1
SCALE: NTS	WEIGHT: 68.43 LBS	SHEET 1 OF 1

6 5 4 3 2 1