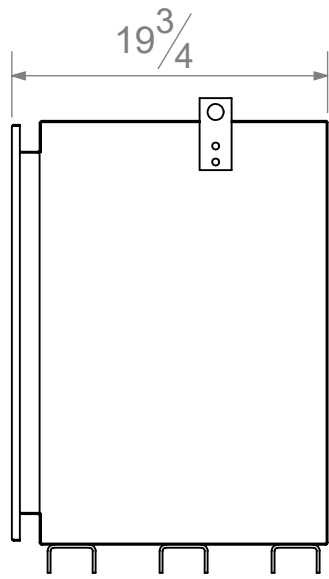
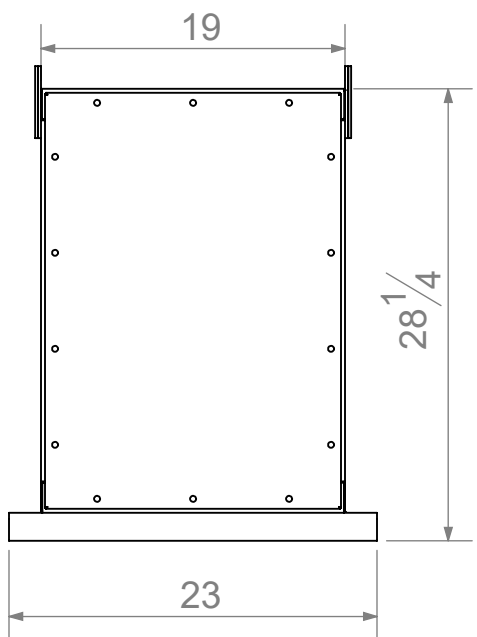
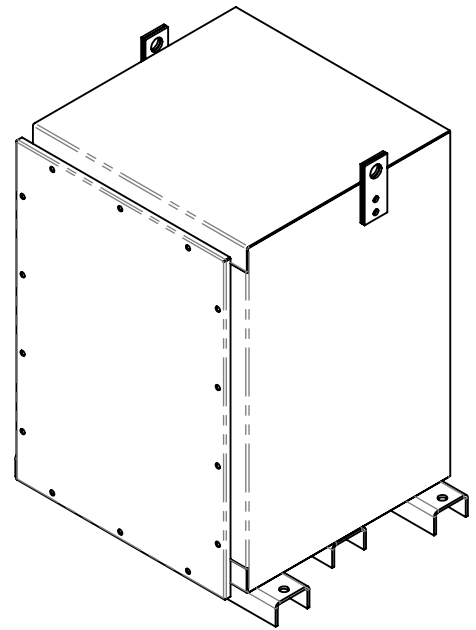
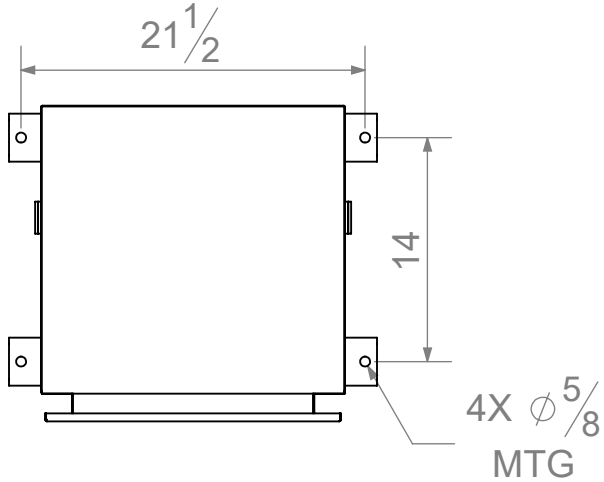
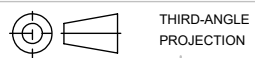


6 5 4 3 2 1



UNLESS OTHERWISE SPECIFIED:
DIMENSIONS ARE IN INCHES
.XX = ± 0.05"
.XXX = ± 0.030"
.XXXX = ± 0.005"
FRACTIONS = ± 1/16"
ANGLES = ± 1°

THE INFORMATION ON THIS DRAWING IS
THE PROPERTY OF REX POWER MAGNETICS.
IS DISCLOSED IN CONFIDENCE
AND IS NOT TO BE REPRODUCED, USED OR
DISCLOSED EXCEPT FOR THE PURPOSE FOR
WHICH FURNISHES.



	NAME	DATE
DRAWN	WW	06/04/2019
APPROVED	VS	06/04/2019
MATERIAL	STEEL	
FINISH	ASA61 GRAY	



TITLE:
**STANDARD ENCLOSURE
NEMA 4 SINGLE PHASE
EPOXY**

SIZE	DWG. NO.	REV
A	E4-1PEP-7	1
SCALE: NTS	WEIGHT: - LBS	SHEET 2 OF 2

D
C
B
A

D
C
B
A

6 5 4 3 2 1