

6 5 4 3 2 1

D

C

B

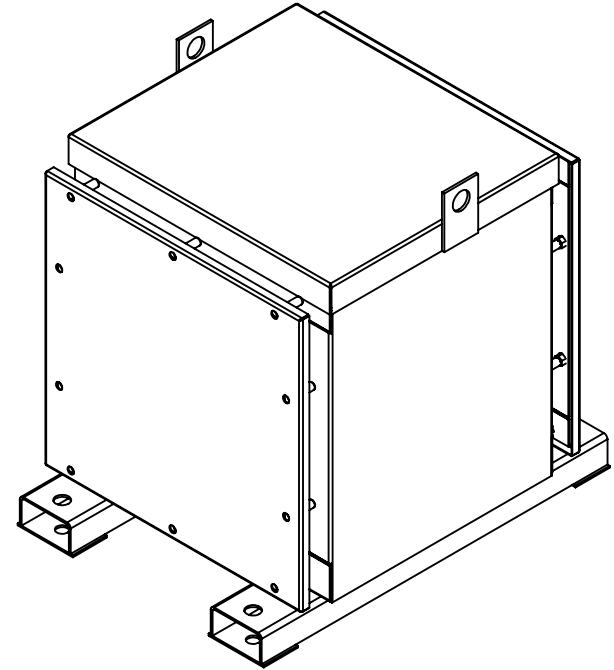
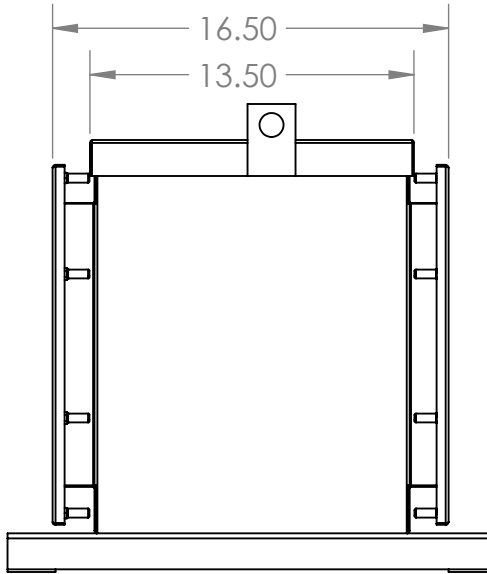
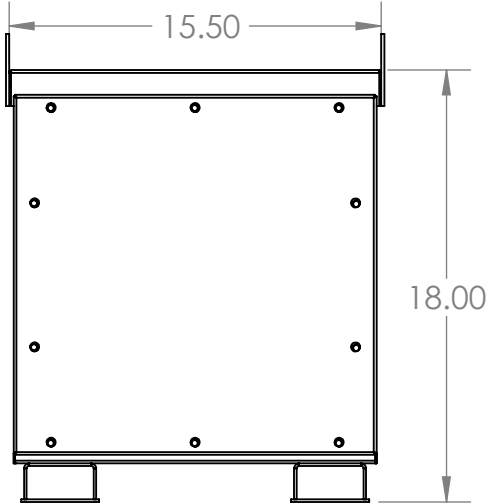
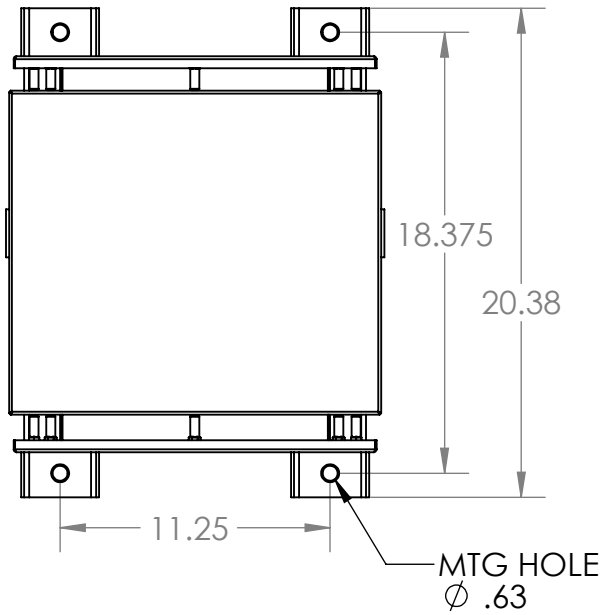
A

D

C

B

A

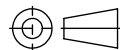


CSA Enclosure:

1. Type 4(NEMA 4)
2. Totally enclosed for indoor/outdoor use
3. ASA 61 grey
4. Floor mounting
5. Weight : 44 Lbs

UNLESS OTHERWISE SPECIFIED:
DIMENSIONS ARE IN INCHES
.XX = ± 0.05"
.XXX = ± 0.030"
.XXXX = ± 0.005"
FRACTIONS = ± 1/16"
ANGLES = ± 1°

THE INFORMATION ON THIS DRAWING IS THE PROPERTY OF REX POWER MAGNETICS. IS DISCLOSED IN CONFIDENCE AND IS NOT TO BE REPRODUCED, USED OR DISCLOSED EXCEPT FOR THE PURPOSE FOR WHICH FURNISHES.



THIRD-ANGLE PROJECTION

	NAME	DATE
DRAWN	WW	26/08/2019
APPROVED	VS	26/08/2019
MATERIAL	STEEL	
FINISH	ASA 61 GREY	



TITLE:
**STANDARD ENCLOSURE -
NEMA 4 #4
ASSEMBLY**

SIZE	DWG. NO.	REV
A	E4-4	1
SCALE: NTS	WEIGHT: 44.71 LBS	SHEET 1 OF 1

6 5 4 3 2 1