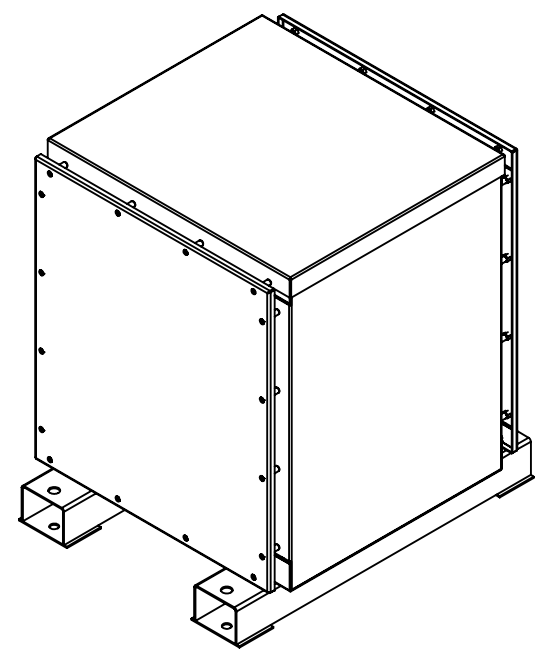
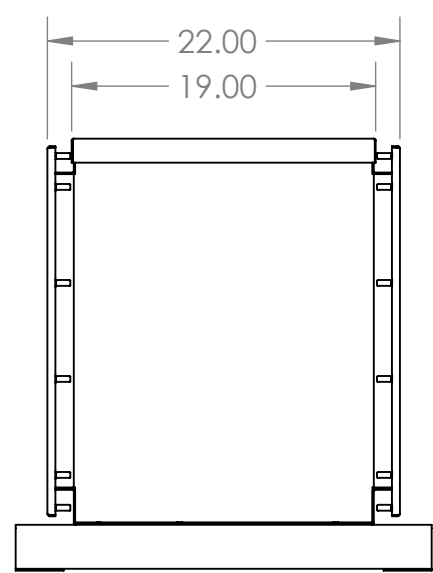
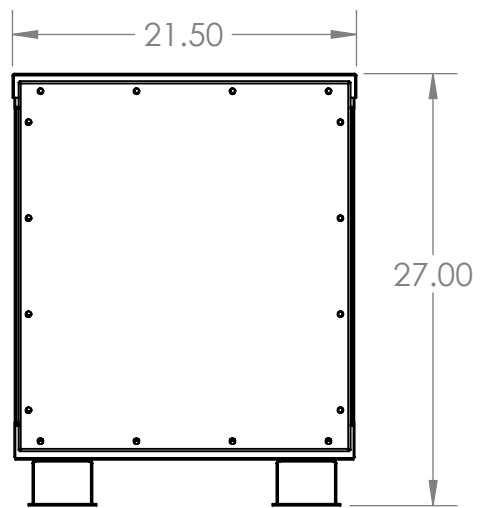
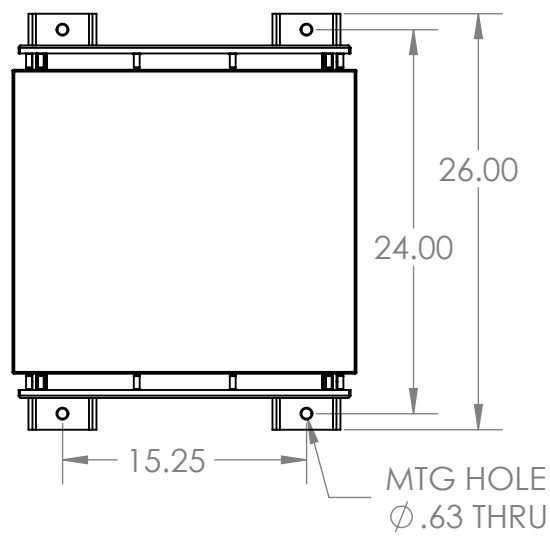


6 5 4 3 2 1



- CSA Enclosure:
1. Type 4(NEMA 4)
 2. Totally enclosed for indoor/outdoor use
 3. ASA 61 grey
 4. Floor mounting
 5. Weight : 90 Lbs

UNLESS OTHERWISE SPECIFIED:
 DIMENSIONS ARE IN INCHES
 .XX = ± 0.05"
 .XXX = ± 0.030"
 .XXXX = ± 0.005"
 FRACTIONS = ± 1/16"
 ANGLES = ±1°

THE INFORMATION ON THIS DRAWING IS THE PROPERTY OF REX POWER MAGNETICS. IS DISCLOSED IN CONFIDENCE AND IS NOT TO BE REPRODUCED, USED OR DISCLOSED EXCEPT FOR THE PURPOSE FOR WHICH FURNISHES.



	NAME	DATE
DRAWN	WW	26/08/2019
APPROVED	VS	26/08/2019
MATERIAL	STEEL	

FINISH ASA 61 GREY

REX POWER MAGNETICS

TITLE: STANDARD ENCLOSURE - NEMA 4 #6 ASSEMBLY		
SIZE	DWG. NO.	REV
A	E4-6	9
SCALE: 1:15	WEIGHT: 89.31 LBS	SHEET 1 OF 1

6 5 4 3 2 1